

# Accessories

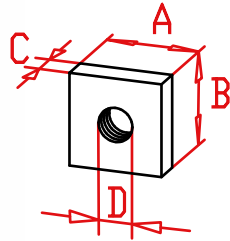


# Accessories

## Square nut



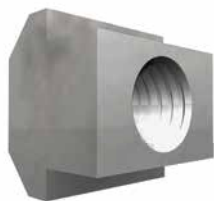
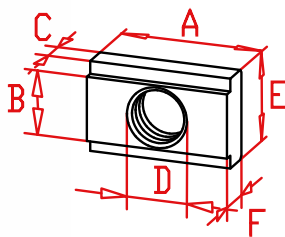
DIN 562



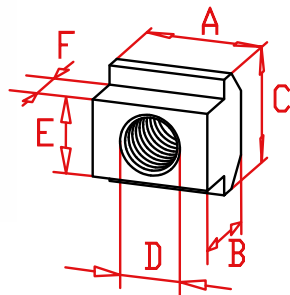
Slide nuts position refer to chapter 2.2 page 3  
Material: galvanized steel

Code-No.	Type	A	B	C	D
02708	M 4	7	7	2,2	M 4
02710	M 5	8	8	2,7	M 5
02715	M 6	10	10	3,2	M 6
02714	M 8	13	13	4	M 8
02713	M 10	17	17	5	M 10
02721	M 10	25	20	8	M 10

## T-nut



DIN 508

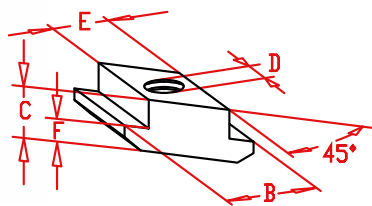


Slide nuts position refer to chapter 2.2 page 3  
Material: galvanized steel

Code-No.	Type	A	B	C	D	E	F
02717	M3	8	4,2	2,1	M 3	6,9	4,3
02739	M4	10	4,2	2,1	M 4	6,9	3,3
02742	M 5	12	5,3	3	M 5	8	4
02709	M 5	14	8,1	4,5	M 5	14	6
02716	M 6	14	8,1	4,5	M 6	14	6
02718	M 8	18	8,1	4,5	M 8	14	6
02719	M10	22	8,1	4,5	M 10	14	6
02730	M 6	13	10	4	M 6	15	8
02731	M 8	13	10	4	M 8	15	8

Code-No.	Type	A	B	C	D	E	F
02734	M 5	10	8	10	M 5	6	4
02735	M 6	13	10	13	M 6	8	4
02736	M 8	15	12	15	M 8	10	6
02720	M 10	18	14	18	M 10	12	7
02722	M 12	22	16	22	M 12	14	8
02737	M 16	28	20	28	M 16	18	10

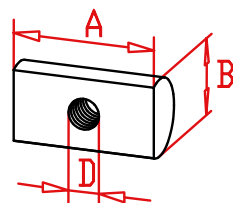
## Rhombus nut



Slide nuts position refer to chapter 2.2 page 3  
Material: galvanized steel

Code-No.	Type	B	C	D	E	F
02732	M 8	15	9	M 8	10	4,2
02733	M 6	15	9	M 6	10	4,2
02760	M 5	10	8	M 5	6	4

## Half round nut

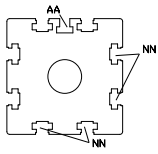


For guide body profile EL, ML, QL / QS and for fastening of jointing and mounting blocks. Material: galvanized steel

Size	Code-No.	Type	A	B	D
30	02724	M 3	28	5	2x M 3
40	02725	M 5	14	6	M 5
60 (S)	02726	M 6	18	10	M 6
80 (S)	02728	M 8	22	12	M 8
100	02729	M 8	22	16	M 8
125	02723	M10	25	20	M10

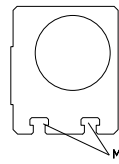
# Accessories

## Bearing block profile EL



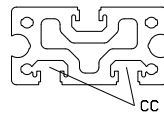
Size	T-slot nut slot AA Code No.	T-slot nut slot NN Code No.
30	02715	02715
40	02710	02715
60 (S)	02710	02718
80 (S)	02714	02719
100	02714	02720
125	02736	02722

## Bearing block profile ELZ



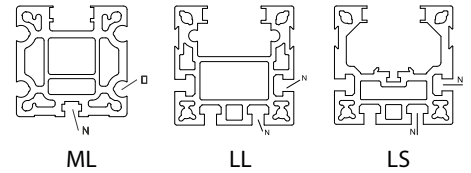
Size	T-slot nut slot M Code No.
30	02710
40	02735
60 (S)	02731 / 02719
80 (S)	02736
100	02720
125	02722

## Guide body profile E



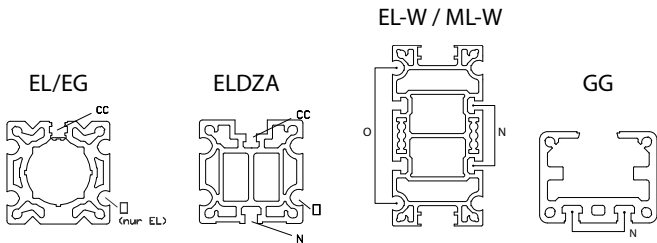
Size	T-slot nut slot CC Code No.
40	02730 / 02731
60	02730 / 02731
80	02730 / 02731

## Guide body profile ML/LL/LS/ALL

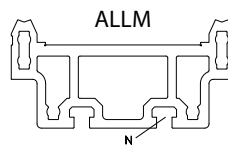


Type	T-slot nut slot N Code No.	T-slot nut slot O Code No.
ML 60 (S)	02716 / 02718	02726
ML 80 (S)	02719	02728
ML 100	02720	02729
LL / LS 40	02708	
LL / LS 60	02734	
LL / LS 80	02735	
ALLM 200	02737	

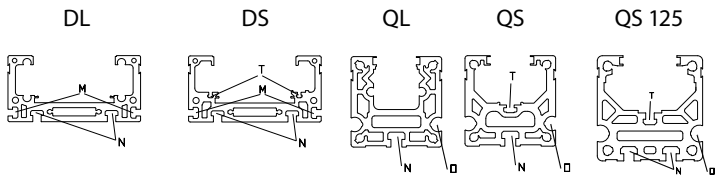
## Guide body profile EL / EG



Size	T-slot nut slot CC Code No.	T-slot nut slot O Code No.	T-slot nut slot N Code No.
EL 30	02715	02724	-
EL/EG 40	02718	02725	-
EL/EG 60	02718	02726	-
EL/EG 80(S)	02718	02728	-
EL 100	02721	02729	-
EL 125	02721	02723	-
ELDZA 60(S)	02734	02726	02735
ELDZA 80(S)	02730	02728	02720
ELDZA 100	02736	02729	02720
EL-W/ML-W 60 (S)	-	02726	02734
GG 90	-	-	02736



## Guide body profile DL/DS QL/QS

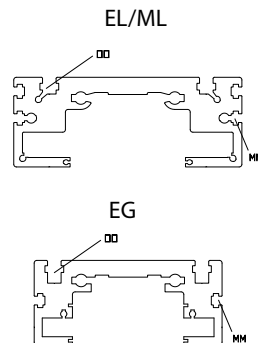


Size	T-slot nut slot N Code No.	T-slot nut slot M Code No.	T-slot nut slot T* Code No.	T-slot nut slot O* Code No.
DL/DS 120	02735	02734	02717	-
DL/DS 160	02736	02735	02739	-
DL/DS 200	02720	02736	02735	-
QL/QS 60	02734**	-	02739	02726
QL/QS 80	02735**	-	02742	02728
QL/QS 100	02720**	-	02716	02729
QS 125	02720	-	02736	02723

\* only for DS/QS guide body profile  
 \*\* not in QST/K guide body profile

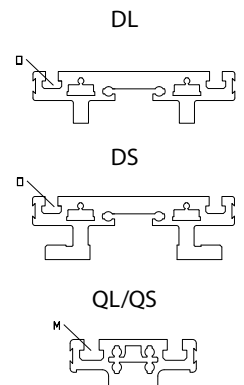
## Carriage profile EL / EG

Size	T-slot nut slot OO Code No.	T-slot nut slot MM Code No.
30	02715	-
40	02716 / 02709	-
60	02718	-
60 S	02736	-
80	02718 / 02719	02715
80S	02736	02735
100	02720	02713
125	02722	02720



## Carriage profile DL / DS / QL / QS

Size	T-slot nut slot O Code No.	T-slot nut slot M Code No.
DL/DS 120	02735	-
DL/DS 160	02736	-
DL/DS 200	02720	-
QL/QS 60	-	02735
QL/QS 80	-	02736
QL/QS 100	-	02720
QS 125	-	02722



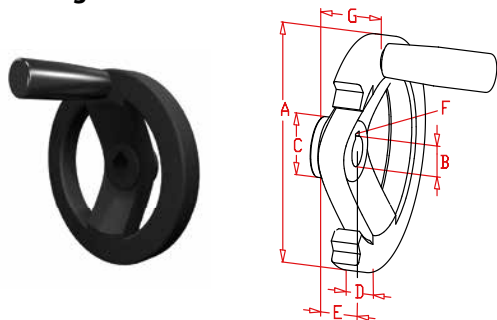


# Accessories

Handwheel | Positional Indicator | Clamp

## Handwheel with keyway and locking screw

A plastic coated aluminium handwheel with a matt black finish. Equipped with a black handle.



Code-No.	Type	A	B	C	D	E	F	G
00050	30	70	6	17	13	15	-	20
00100	40	100	10	29	14,5	17	3x3	30
00160	60	140	14	36	16,5	19	5x5	36
00200	80	200	18	42	20,5	24	6x6	45
00222	100	200	22	42	20,5	24	6x6	45

## Positional indicator

Shell made of polyamide orange. Ambient temperature 80°C. Any fitting position possible. Numeral height 6 mm. Accuracy of reading 0,1 mm.



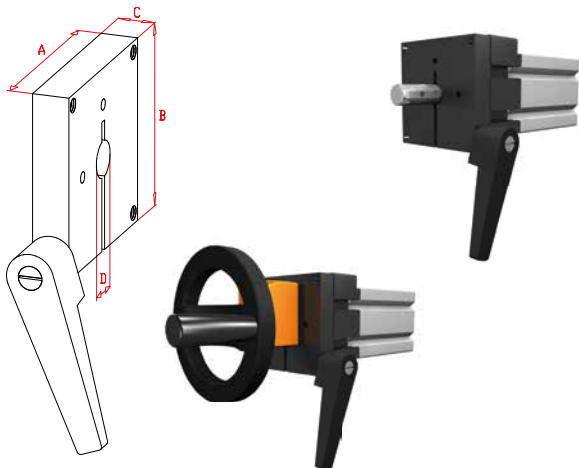
Code-No.	Size	AxBxC	D	Type	pitch (mm)
00231..	EL / EG 30	33x47x31	6	SH	2,5 od. 3
00232..		33x47x31	6	FH	2,5 od. 3
00233..		33x47x31	6	SV	2,5 od. 3
00234..		33x47x31	6	FV	2,5 od. 3
00241..	EL / EG 40, 60, 80	48x67x51	12,17,20	SH	4 od. 8
00242..		48x67x51	12,17,20	FH	4 od. 8
00243..		48x67x51	12,17,20	SV	4 od. 8
00244..		48x67x51	12,17,20	FV	4 od. 8
00251..	QS 60, 80	48x67x51	12,17,20	SH	5 od. 10
00252..	DL / DS 120, 160	48x67x51	12,17,20	FH	5 od. 10
00253..		48x67x51	12,17,20	SV	5 od. 10
00254..		48x67x51	12,17,20	FV	5 od. 10
00261..	EL 100, 125 QS 100 DL 200	56x75x64	22,25,30	SH	6 od. 12
00262..		56x75x64	22,25,30	FH	6 od. 12
00263..		56x75x64	22,25,30	SV	6 od. 12
00264..		56x75x64	22,25,30	FV	6 od. 12
00265..	EL / EG 40, 60, 80, 100, 125 QS 60, 80, 100 DL / DS 120, 160, 200	48x76x39	12,17,20,22,25,30	SH	0 - 14
00266..		48x76x39	12,17,20,22,25,30	FH	0 - 14
00267..		48x76x39	12,17,20,22,25,30	SV	0 - 14
00268..		48x76x39	12,17,20,22,25,30	FV	0 - 14

**0024108**

Sample ordering code: size 40, 8 mm pitch increasing horizontal.

## Spindle clamp EL / EG, DL / DS /QST/K

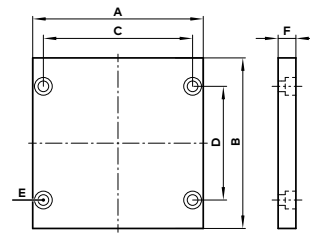
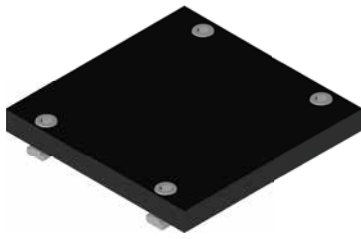
Black anodized aluminium, steel hand lever.



Code-No.	Type	A	B	C	D	Handlever
00291	EL/EG 30	43	50	10	6	M 6
00292	EL/EG 40	58	70	10	12	M 6
00293	EL/EG 60	80	80	15	17	M 8
00294	EL/EG 80	100	100	20	20	M10
00295	E 100	130	130	20	25	M10
00296	E 125	-	-	-	-	-
00283	DL/DS 120	62	80	15	12	M 6
00284	DL/DS 160	80	90	20	17	M 8
00285	DL/DS 200 QS 100	90	99	20	25	M 8
00286	QS 80	80	90	20	17	M 8
00287	QS 60	62	80	15	12	M 6

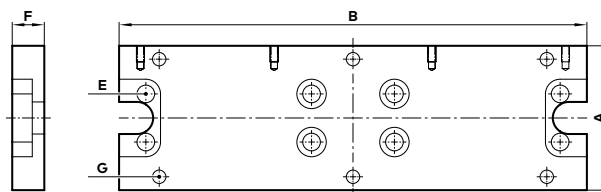
**Assembly plate**

Enables various units to be assembled in a simple manner when combinations of linear units are to be used. Complete with screws and slide-nuts. Tapped holes can be made on request.. Material: Anodized aluminium



Type	A*	B	C	D	E	F	Basic weight (g)	Weight (g) per 1 mm	Code-No.
EG 40	70	100	52	52	M 6	12			00940
EG 60	100	144	80	126	M 8	15			00960
EG 80	140	170	110	147	M 10	15			00980
EL 30	70	70	56	56	M 6	10	158,62	1,89	00935
EL 40	100	100	66	84	M 6	12	376,56	3,24	00945
EL/ML 60	144	144	96	126	M 8	15	899,37	5,83	00965
EL/ML 60S	170	170	108	152	M 8	15	1254,23	6,89	00964
EL/ML 80	170	170	117	150	M 10	15	1235,40	6,89	00985
EL/ML 80S	190	190	126	172	M 8	15	1551,70	7,70	00984
EL/ML 100	230	270	155	248	M 10	20	3510,52	12,42	00915
EL 125	295	335	200	285	M 12	20	5571,57	16,52	00925
DL/DS 120	120	140	96	122	M 6	12			00966
DL/DS 160	160	180	130	162	M 8	15			00986
DL/DS 200	200	240	160	218	M 10	20			00916
QL 60	60	140	36	122	M 6	12			00967
QL 80	80	180	50	162	M 8	15			00987
QL 100	100	240	66	218	M 10	20			00917
QS 60	60	165	36	147	M 6	12			00926
QS 80	80	216	50	198	M 8	15			00928
QS 100	100	248	66	226	M 10	20			00911
QS 125	125	270	82	244	M 12	20			00921

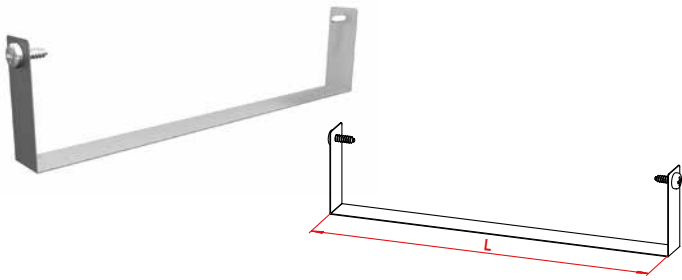
\* = length-dependent

**Assembly plate LL / LS**

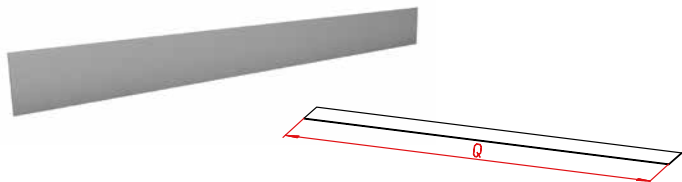
Size	Carriage version	A	B	E	F	G	Basic weight (g)	Code-No.
LL 40	0	34	120	M 4	10	M 5	97	00970
LL 40	1	34	98	M 4	10	M 5	79	00971
LL 60	0	54	175	M 6	12	M 6	270	00968
LL 60	1	54	175	M 6	12	M 6	222	009681
LL 80	0	74	251	M 6	12	M 8	566	009880
LL 80	1	74	191	M 6	12	M 8	424	009881
LL 100	0	94	250	M 8	15	M 10	892	009750
LL 100	1	94	191	M 8	15	M 10	672	009751
LS 60	0	54	116	M 6	12	M 6	166	009690
LS 60	1	54	96	M 6	12	M 6	138	009691
LS 80	0	74	150	M 6	12	M 8	315	009890
LS 80	1	74	134	M 6	12	M 8	280	009891
LS 100	0	94	180	M 8	15	M 10	626	009760
LS 100	1	94	164	M 8	15	M 10	574	009761



Activating sheet EL / ML / EG

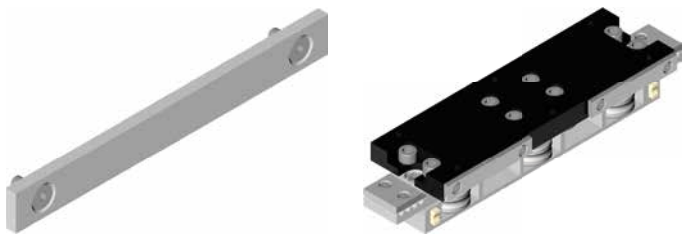


Activating sheet QL / QS - DL / DS



Activating strip LL / LS

only on combination with matching assembly plate

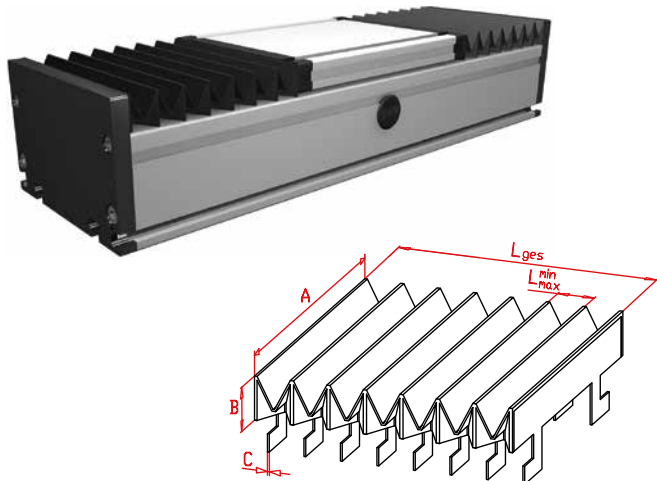


For external mounting proximity switches.

Code-No.	Type	Length - L
01000	EL 30	Q
01005	EL 40	Q
01006	EL/ML 60	Q
01011	EL/ML 60S	Q
01007	EL/ML 80	Q
01010	EL/ML 80S	Q
01008	EL/ML 100	Q
01009	EL 125	Q
010000	EG 30	Q
010050	EG 40	Q - 7
010060	EG 60	Q - 9
010070	EG 80	Q - 11
01018	DL/DS 120	Q - 16
01017	DL/DS 160	Q - 20
01016	DL/DS 200	Q - 30
01030	QL/QS 60	Q - 12
01031	QL/QS 80	Q - 16
01032	QL/QS 100	Q - 20
01032	QS 125	Q - 30
010155	L 40-100	64

Q = Carriage length

Complete bellows DL / DS



Bellow ERA7815, max. 120°, bellow frame PVC.

Code-No.	Type	A	B	C	Fold	
					L <sub>min</sub>	L <sub>max</sub>
02901	DL/DS 120	120	19	1	4	22
02902	DL/DS 160	160	24	1	4	31
02903	DL/DS 200	200	28	1	4	28

02902	500
-------	-----

Sample ordering code: Size 160, unit length L = 500 mm.



Carriage clamp EL / ML / EG



Carriage with carriage clam. Carriage length can be chosen as required. Depending on type of drive (spindle or belt) the position of clamp can be different. Dimensions by inquiry.

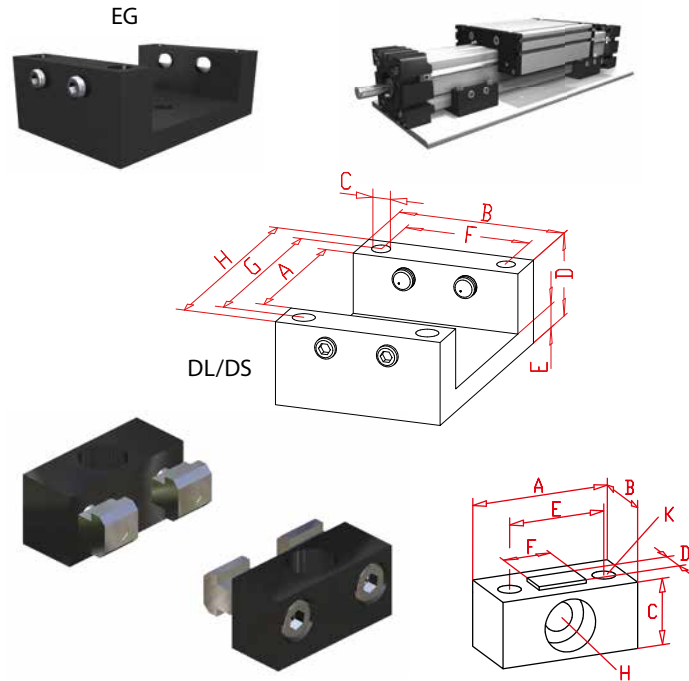
Code-No.	Type
00311	EG 30
00312	EG 40
00313	EG 60
00314	EG 80
00301	EL 30
00302	EL 40

Code-No.	Type
00303	EL/ML 60
00308	EL 60S
00304	EL/ML 80
00307	EL 80S
00305	EL/ML 100
00306	EL 125

# Accessories

## Mounting systems

### Support and mounting block



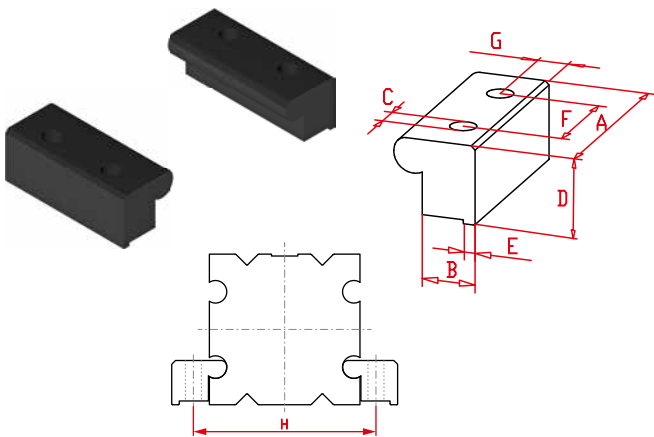
Black anodized aluminium, for mounting and for supporting long units. These components can be ready mounted on the units by us to customer's specification. Mounting can be clear or tapped holes and slide-nuts.

Code-No.	Type	A	B	C	D	E	F	G	H
03043	EG 40	40	40	6,5	24,0	9	1 hole	50	60
03063	EG 60	60	60	9,0	35,0	11		75	90
03083	EG 80	80	80	10,5	39,0	11		100	120

Code-No.	Type	A	B	C	D	E	F	G	H for	K for
03001	DL/DS 120	34	17	14	6	22	10	134	M6	M5
03002	DL/DS 160	40	20	19	8	28	14	179	M8	M6
03003	DL/DS 200	50	30	24	10	34	18	224	M10	M8



### Mounting profile EL / ML / Q / L

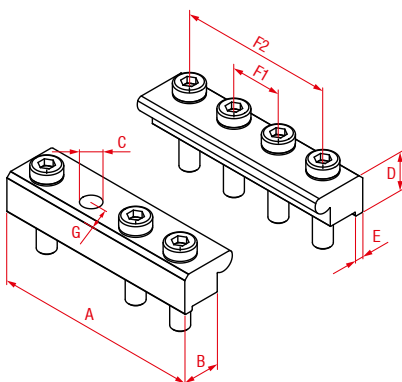


Black anodized aluminium, for mounting. Mounting can be clear or tapped holes. Pair (without screws)

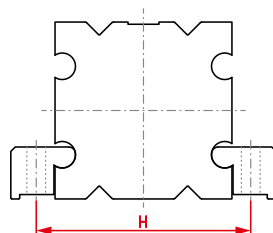
Code-No.	Type	A	B	Ø C	D	E	F	G	H
03039	EL 30	24	11,5	5,5	10	3	12	6,5	41
03049	EL 40	32	15,5	6,6	13	4	16	9	54
03069	EL/ML/Q 60	48	17,5	9	18	4	24	9,5	77
03089	EL/ML/Q 80	64	19,5	9	23,5	4	32	11,5	97
03019	EL / Q 100	80	21,5	11	30,5	4	40	12	120
03029	EL / QS 125	100	27	13,5	40	6	50	15,5	149
03007	L 40	32	15,5	6,6	16	4	16	9	53
03009	L 60	64	19,5	9	22,8	4	32	11,5	76
03099	L 80	64	19,5	9	25,5	4	32	11,5	97

### Double mounting profile EL / ML / Q / L

Black anodized aluminium. For mounting and joining body profiles longer than standard. Mounting can be clear or tapped holes. Pair (without screws)



Code-No.	Type	A	B	C	D	E	F1	F2	G	H
03039-2	EL 30	48	11,5	5,5	10	3	12	36	6,5	41
03049-2	EL 40	64	15,5	6,6	13	4	16	48	9	54
03069-2	EL / ML / Q 60	96	17,5	9	18	4	24	72	9,5	77
03089-2	EL / ML / Q 80	128	19,5	9	23,5	4	32	96	11,5	97
03019-2	EL / QL / QS 100	160	21,5	11	30,5	4	40	120	12	120
03029-2	EL / QS 125	200	27,0	13,5	40	6	50	150	15,5	149
03007-2	L 40	64	15,5	6,6	16	4	16	48	9	53
03009-2	L 60	128	19,5	9	22,8	4	32	96	11,5	76
03099-2	L 80	128	19,5	9	25,5	4	32	96	11,5	97

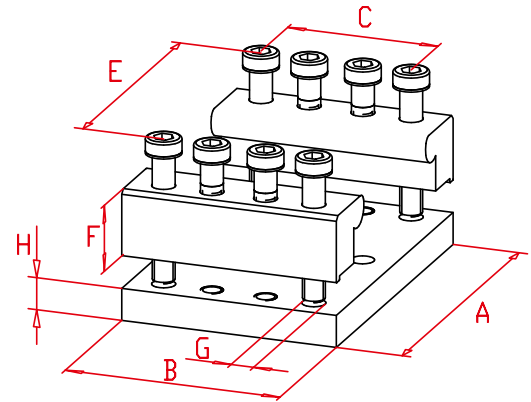


## Mounting block EL / EH / ML / Q

Black anodized aluminium, for mounting and for supporting long units. These components can be ready mounted on the units by us to customer's specification. Mounting can be clear or tapped holes and slide-nuts.



\* only 1 hole



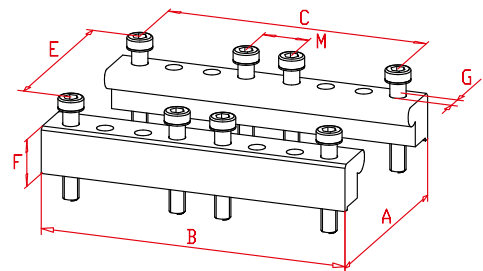
Code-No.	Type	A	B	C	E	F	G	H
030301	EL 30	54	30	*	38	10	4,2	6
030401	EL/EH 40	72	40	*	50	13	6,4	9
030601	EL/EH/ML/Q 60	96	60	*	75	18	8,5	10,8
030801	EL/EH/ML/Q 80	120	80	60	100	23,5	10,5	10,8
030101	EL/EH/ML/Q 100	144	100	70	120	30,5	10,5	14,8
030201	EL/EH/QS 125	180	125	85	150	40	11	20
030071	L 40	71	40	26	53	16	6,5	9
030091	L 60	100	60	*	76	23,5	9	10,8
030991	L 80	120	80	60	100	23,5	10,5	10,8

## Jointing profile EL / ML / Q

Black anodized aluminium. For joining body profiles longer than standard (without screws).



Code-No.	Type	A	B	C	E	F	G	M
030312	EL 30	54	60	50	38	10	4,2	10
030412	EL 40	72	80	66	50	13	6,4	14
030612	EL/ML/Q 60	96	120	100	75	18	8,5	20
030812	EL/ML/Q 80	120	160	140	100	23,5	10,5	20
030112	EL/ML/Q 100	144	200	170	120	30,5	10,5	30
030212	EL/QS 125	180	250	210	150	40	11	40
030712	L 40	71	80	66	53	16	6,5	14
030912	L 60	100	120	100	76	23,5	9	20
039912	L 80	120	160	140	100	23,5	10,5	20

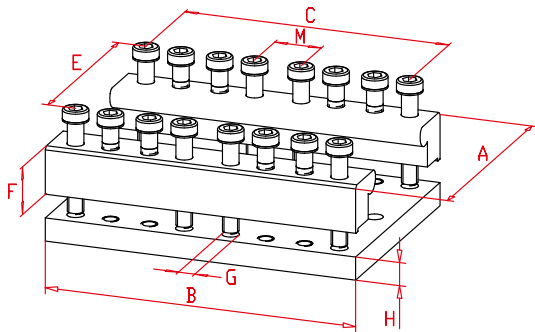




# Accessories

## Mounting systems

### Joining block EL / ML / Q / L

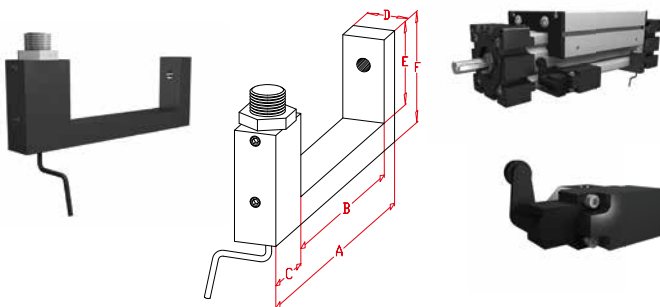


Black anodized aluminium, for joining, mounting and supporting long units. These components can be ready mounted on the units by us to customer's specification. Mounting can be clear or tapped holes and slide-nuts.



Code-No.	Type	A	B	C	E	F	G	H	M
030311	EL 30	54	60	50	38	10	4,2	6	10
030411	EL 40	72	80	66	50	13	6,4	9	14
030611	EL/ML/Q 60	96	120	100	75	18	8,5	10,8	20
030811	EL/ML/Q 80	120	160	140	100	23,5	10,5	10,8	20
030111	EL/ML/Q 100	144	200	170	120	30,5	10,5	14,8	30
030211	EL/QS 125	180	250	210	150	40	11	20	40
030072	L 40	71	80	66	53	16	6,5	9	14
030092	L 60	100	120	100	76	23,5	9	10,8	20
030992	L 80	120	160	140	100	23,5	10,5	10,8	20

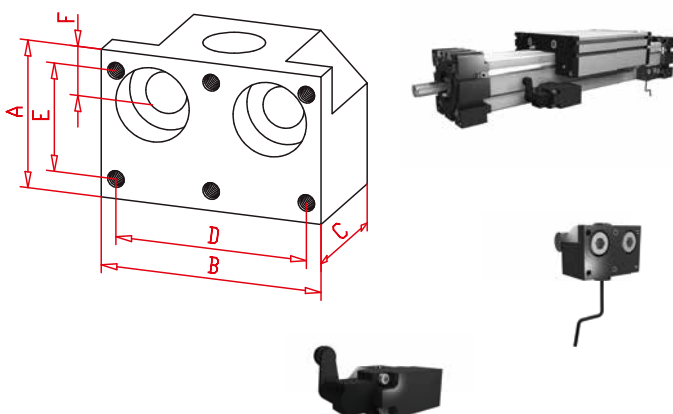
### Proximity / limit switch holder EG



Black anodized aluminium bracket, fixed by grub screws. Position along the length of the units is adjustable. Fixing holes for proximity and limit switches are provided.

Code-No.	Type	A	B	C	D	E	F	Drill hole
01340	EG 40	72	40	24	15	19	28	8,2
01360	EG 60	92	60	24	15	26	35	12,2
01380	EG 80	114	81	24	15	30	40	12,2

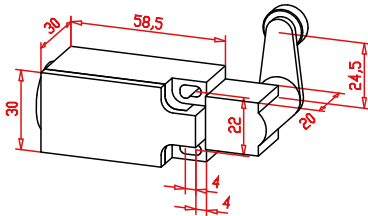
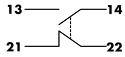
### Proximity / limit switch holder EL



Black anodized aluminium bracket, fixed by screws into with half-round nuts in the body half-round-slots, hence position axially adjustable. Fixing holes for proximity and limit switches are provided. Complete with screws and half-round nuts.

Code-No.	Type	A	B	C	D	E	F	Drill hole	
01331	EL 30	12	30	12	-	-	6	8,2	
01341	EL 40	28	32	25	26	22	8	8,2	
01361	EL 60	30	40	25	32	22	11	12,2	
01381	EL 80	30	45	25	39	22	10	12,2	
01311	EL 100	40	55	20	49	22	12	12,2	
01321	EL 125	45	60	25	52	22	12,5	12,2	
01300	EL60-125	Reducing sleeve $\varnothing 12$ to $\varnothing 8$							

## Limit switch

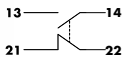
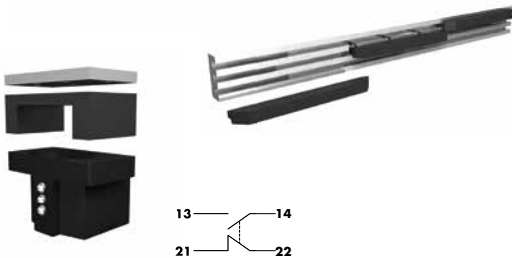


Fully insulated thermoplastic switch with adjustable operation lever. The operation device can be turned by 90°, the lever can be turned to engage by 360°.

Max. voltage	380 V
Max. constant current	6 A
Max. current at make	16 A
Duty classification	max.6000/h
Mechanical lifetime 1 x 10 <sup>7</sup>	
Operating repeatability	± 0,01
Transit time/snap switch	ca. 10 ms
Protection class	IP 65 (DIN 40050)
Working temperature	-30° C to +80° C

Code-No.	choice
01101	standard
01101ex	Version ATEX

## Limit switch



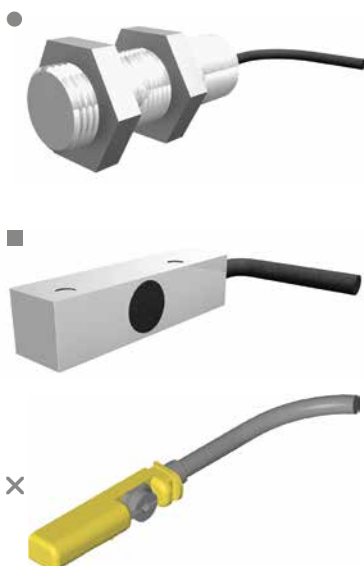
3 electromechanical switches in a row.

Nominal voltage	250 V
Cont. current	6 A
Switch rate	max.300/min.
Mech. Lifetime	>30 Mio.
Repeatability	± 0,01 mm
Transit time/snap switch	ca. 10 ms
Protection class	IP 67 (DIN 60529)
Working temperature	-5° C bis +80° C

Code-No.	choice
01105	switch system *

\* consisting of 2 cam ledges and 3 cams

## Proximity switch



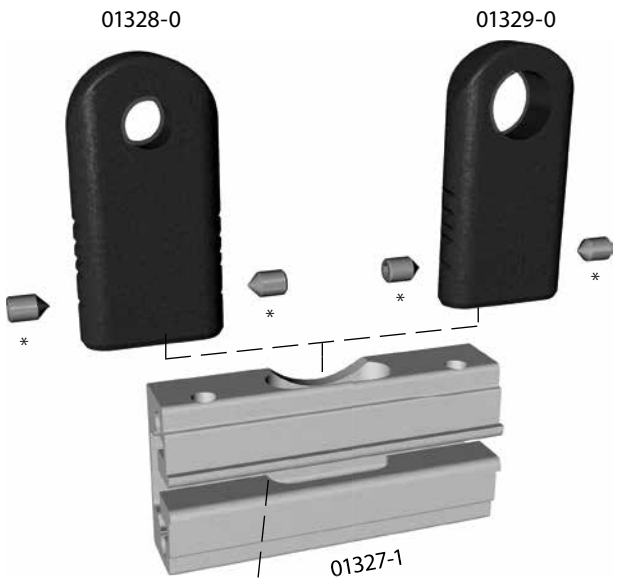
Inductive proximity switches. Protection class IP67

Code-No.	Type	Switching distance	Voltage	Output	Function
● 01003	M8	1 mm	10 - 30 VDC	200 mA	PNP NC
● 01004	M8	1 mm	10 - 30 VDC	200 mA	PNP NO
● 01001	M12	2 mm	10 - 30 VDC	200 mA	PNP NC
● 01002	M12	2 mm	10 - 30 VDC	200 mA	PNP NO
■ 010014	Q 8x8	2 mm	10 - 35 VDC	200 mA	PNP NC
■ 010013	Q 8x8	2 mm	10 - 35 VDC	200 mA	PNP NO
× 010142	EHT/K	---	10 - 30 VDC	150 mA	PNP NO
× 010143	EHT/K	---	10 - 30 VDC	150 mA	PNP NC

PNP NO (normally open) =

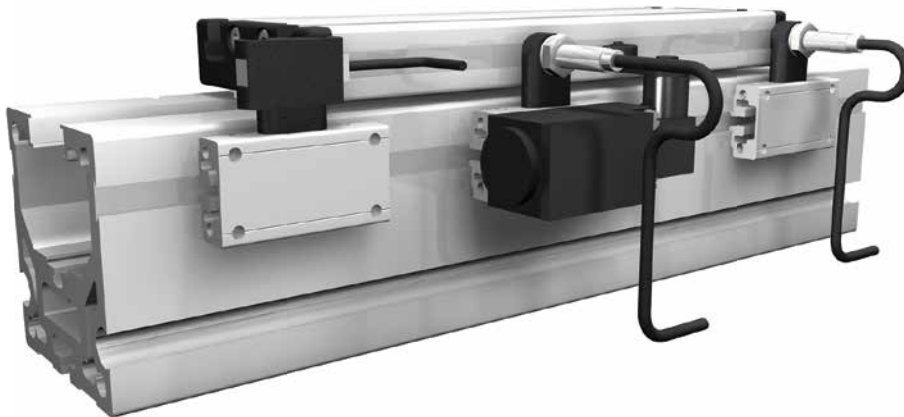
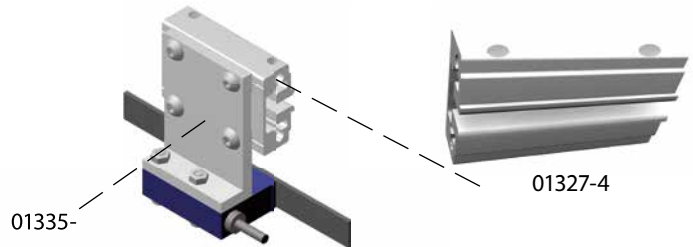
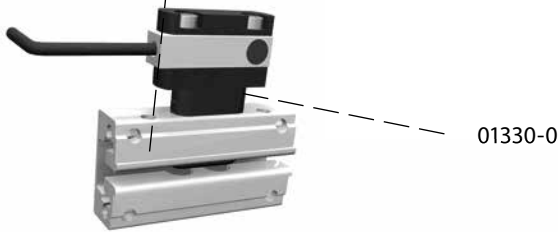
PNP NC (normally closed) =

**Proximity / limit switch holder**  
DL / DS / QL / QS / LL / LS



Code-Nr.	Type
01327-0	Base holder for a limit switch
01327-1	Base holder for a proximity and a limit switch
01327-4	Base holder for a sensor bracket
01328-0	plug in holder for a proximity switch M8x1
01329-0	plug in holder for a proximity switch M12x1
01330-0	plug in holder for a proximity switch Q 8x8
01335-0	Sensor holder DL/DS 120 / QL/QS 60 H = 46,5mm
01335-1	Sensor holder DL/DS 160 H = 50,5mm
01335-2	Sensor holder QL/QS 80 H = 52,5mm
01335-3	Sensor holder DL/DS 200 H = 48 mm
01335-4	Sensor holder QL/QS 100 H = 57 mm

\* stainless steel grub screws



Motor adapter

Black anodized aluminium, can be designed for any motor. Simple assembly, accurate alignment.



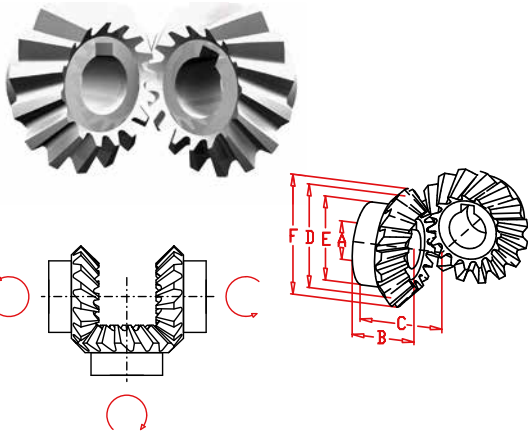
Code-No.	Typ spindle
01531	EL/EG 30
01541	EL/EG 40
01561	EL/ML/EG 60 / DL/DS 120 QS 60
01581	EL/ML/EG 80 / DL/DS 160 QS 80/ GG/GDG90
01511	EL/ML 100 DL/DS 200 QS 100
01521	EL 125

Code-No.	Typ belt-drive
01831	EL 30
01832	ELZI 30 / LL 40
01841	EL 40
01842	ELZI 40
01861	EL/ML 60 / DL/DS 120 QL/QS 60 / LL/LS 60
01862	ELZI 60
01881	EL/ML 80 / DL/DS 160 QL/QS 80
01811	EL/ML 100 / DL/DS 200 QL/QS 100
01821	EL 125 / QS 125



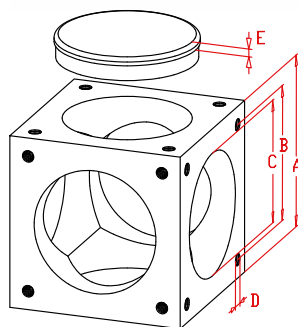
Bevel gear pair EL / EG

C 45 steel, helical gear, with keyway.



Code-No.	Type	i	Modul	Number of teeth	A <sub>h7</sub>	B	C	D	E	F
00641	40	1:1	2	16	10	13	28	-	22	35
				24	10	17,5	27	36	26	38
00661	60	1:1	2,5	16	14	18,5	33	-	30	43
				24	14	21	38	32	26	36
00662	60	1:1,5	2	16	14	23	35	48	35	51
				24	14	23	35	48	35	51
00681	80	1:1	3	16	18	23	40	-	35	51,5
				24	18	28	54	48	40	53
00682	80	1:1,5	3	16	18	30	49	72	50	76
				24	19	30	49	72	50	76
00611	100	1:1	4	16	22	35,5	54	-	45	69,7
				24	22	27,7	50	48	34	53
00612	100	1:1,5	3	16	22	31	44	72	38	76
				24	22	31	44	72	38	76

Combination cube EL / EG  
Cover caps



Combination cube					
Code-No.	Type	A	B	C	D
00830	30	52	35	40	M 4
00840	40	66	47	48	M 6
00860	60	92	69	62	M 8
00880	80	112	88	80	M 8
00810	100	148	112	110	M10
Cover caps					
Code-No.	Type	E	Black plastic. To cover empty cube sides.		
01830	30	2			
01840	40	5			
01860	60	6			
01880	80	6			
01810	100	3			

Black anodized aluminium. Used for connecting modules at right angles or in line.

# Accessories

## Splined shafts

### Splined shaft EL / ML / EG / DL / DS

Steel splined shaft, for torque transfer between two parallel drives.  
Shafts longer than 1000 mm are hollow shafts with welded journals.  
For splined shafts <200mm, B1 = D applies

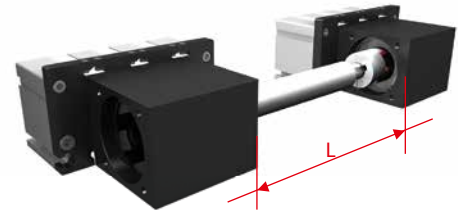
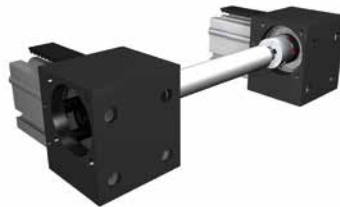
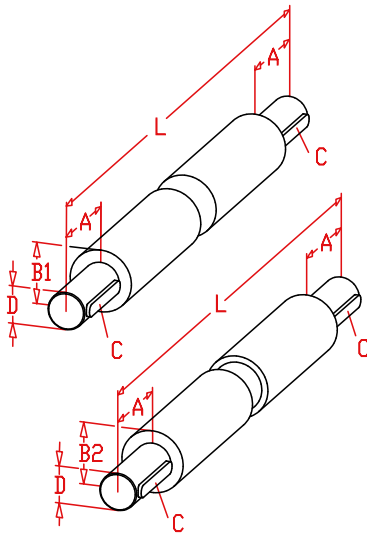


Code-No.	Type	A	B1	B2	C	D	L <sub>max</sub>
02230	EL/EG 30	15	8	12	2x2x12	6 <sub>h7</sub>	1.500
02240	EL/EG 40	27	16	20	3x3x25	10 <sub>h7</sub>	3.000
02260	EL/ML/EG 60 Q 60 D 120	35	20	24	5x5x28	14 <sub>h7</sub>	3.000
02280	EL/ML/EG 80 Q 80 D 160	45	24	30	6x6x40	18 <sub>h7</sub>	3.000
02210	EL/ML 100 Q 100 D 200	55	30	40	6x6x50	22 <sub>h7</sub>	4.500
02220	EL/QS 125	55	40	50	8x7x50	30 <sub>h7</sub>	5.000

02240	0500
-------	------

Sample order code:  
Size 40, length L = 500 mm

B1 splined shaft < 1000 mm  
B2 splined shaft > 1000 mm



### Splined shafts

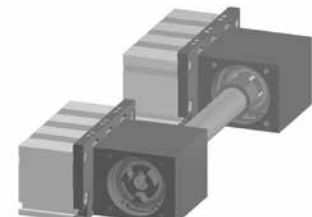
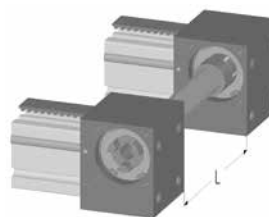
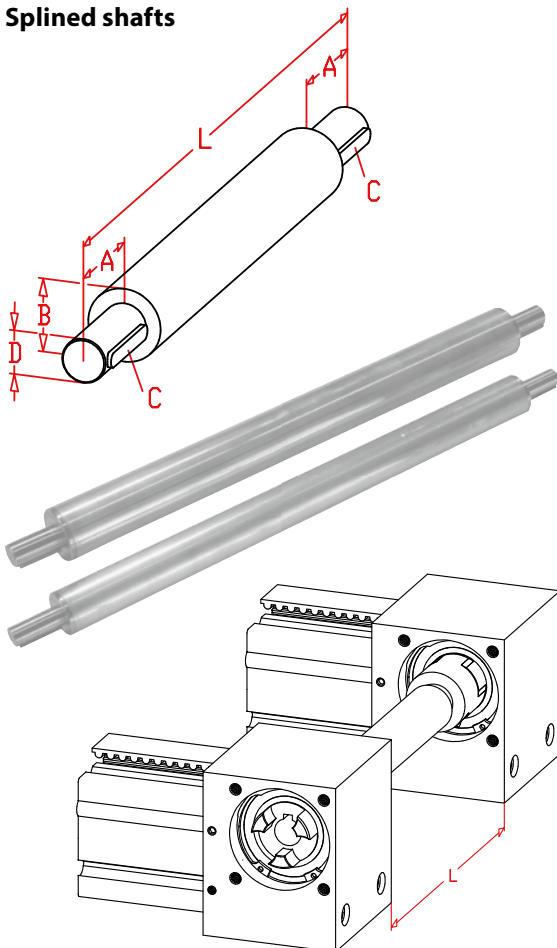
Aluminum splined shaft parallel to the torque transmission with adjustment units arranged. The splined shaft consists of an aluminum hollow shaft with bonded journals of stainless steel.

Code-No.	Type	A	B	C	D	L <sub>max</sub>
02264	EL/ML/EG 60 Q 60 D 120	35	27	5x5x28	14 <sub>h7</sub>	3000
02284	EL/ML/EG 80 Q 80 D 160	45	40	6x6x40	18 <sub>h7</sub>	3000
02214	EL/ML 100 Q 100 D 200	55	50	6x6x40	22 <sub>h7</sub>	4500
02224	EL/QS 125	55	60	8x7x50	30 <sub>h7</sub>	5000

Sample ordering code:

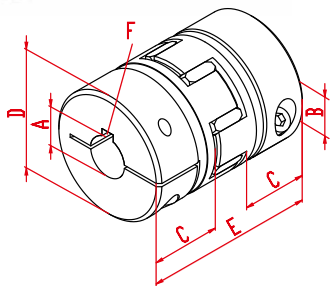
Code-No.	L
02214	2000

Spindle shaft for EL/QL/QS 100 and DL/DS 200 with keyway, length 2000 mm



## Coupling

Torsionally elastic coupling with keyway and clamp. Light pre-load provides backlash-free torque transmission. Standard spider type is 98-A. For higher torques spider type 64-D could be used as an option.



Code-No.	Type	ØA/B (min/max)	C	D	E	F	Gear ring	Shore- Scala	Torque [Nm]	
									T <sub>KN</sub>	T <sub>Kmax</sub>
01400-	7	3 / 7	7	14	22		98	A	2	4
							64	D	2,4	4,8
01401-	9	5 / 12	10	20	30		98	A	5	10
							64	D	6	12
01410-	14	5 / 16	11	30	35		98	A	12,5	25
							64	D	16	32
01420-	19	6 / 22	25	40	66	DIN-key	98	A	21	42
							64	D	26	52
01430-	24	10 / 28	30	55	78		98	A	60	120
							64	D	75	150
01440-	28	18 / 38	35	65	90		98	A	160	320
							64	D	200	400
01450-	38	30 / 45	45	80	114		98	A	325	650
							64	D	405	810

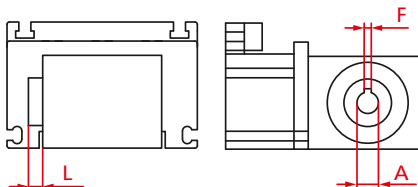
01401-	08	10
--------	----	----

Sample ordering code:

Coupling type 9, ØA = 8 mm, ØB = 10 mm

## Coupling for toothed belt units

Torsionally elastic coupling with keyway and clamp. Light pre-load provides backlash-free torque transmission.



Code-No.	Type	Ø A (min/max)	L	Size	F	Gear ring	Shore- Scala	Torque [Nm]	
								T <sub>KN</sub>	T <sub>Kmax</sub>
03400-	7	3 / 7	7	EL 30		98	A	2	4
						64	D	2,4	4,8
03401-	9	5 / 12	10	EL 40		98	A	5	10
						64	D	6	12
03410-	14	5 / 16	11	EL/ML 60 D 120 Q 60	DIN-key	98	A	12,5	25
						64	D	16	32
03420-	19	6 / 22	25	EL/ML 80 D 160 Q 80		98	A	21	42
						64	D	26	52
03430-	24	10 / 28	30	EL/ML 100 D 200 Q 100		98	A	60	120
						64	D	75	150
03440-	28	18 / 38	35	EL/QS 125		98	A	160	320
						64	D	200	400

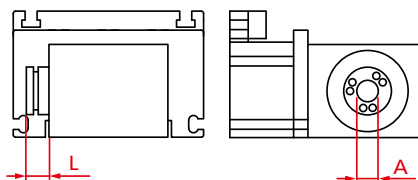
03410-	12
--------	----

Sample ordering code:

Coupling type 14, ØA = 12 mm

## Coupling with tension ring

Coupling, to be clamped by tension ring.



Code-No.	Type	Ø A	L	Size	Gear ring	Shore- Scala	Torque [Nm]	
							T <sub>KN</sub>	T <sub>Kmax</sub>
03501-	14	5, 10, 14	19	EL/ML 60 D 120 Q 60	98	A	12,5	25
					64	D	16	32
03510-	19	10, 14, 16, 19	25	EL/ML 80 D 160 Q 80	98	A	21	42
					64	D	26	52
03520-	24	19, 20, 22, 24	30	EL/ML 100 D 200 Q 100	98	A	60	120
					64	D	75	150
03530-	28	38	35	EL/QS 125	98	A	160	320
					64	D	200	400

03510-	16
--------	----

Sample ordering code:

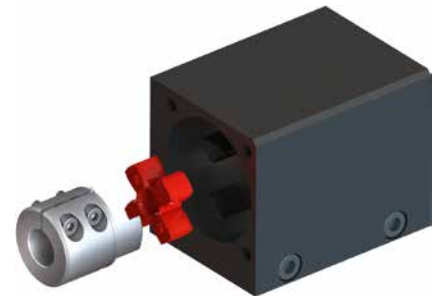
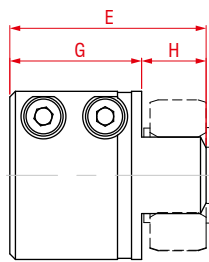
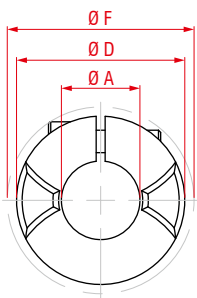
Coupling type 19, ØA = 16 mm

# Accessories

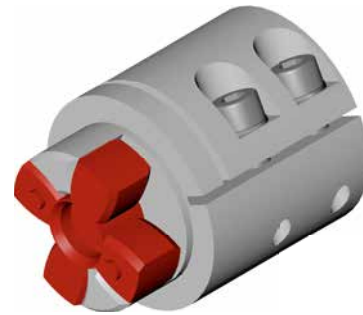
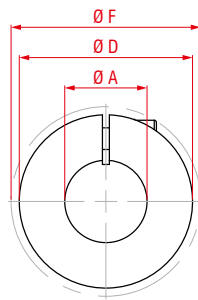
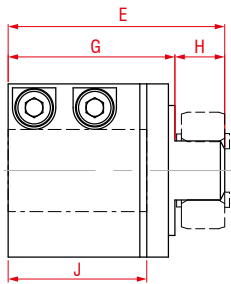
## Coupling

### Synchronous coupling

Coupling for synchronizing of two parallel units.  
Light pre-load provides backlash-free torque transmission.

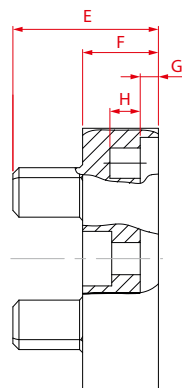
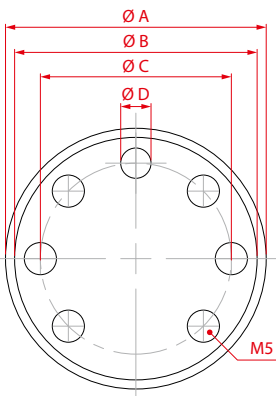


Code-No.	Type	Ø A	Ø D	E	Ø F	G	H	Gear ring	Shore-Scala	Torque [Nm]	
										TKN	TK max
034001	7	6	14	21	16,6	14	7	98	A	2	4
								64	D	2,4	4,8
034011	9	10	20	29	21,3	20	9	98	A	5	10
								64	D	6	12
03411	14	14	30	35	33,6	23,5	11,5	98	A	12,5	25
								64	D	16	32
03421	19	18	40	41	46	25	16	98	A	21	42
								64	D	26	52



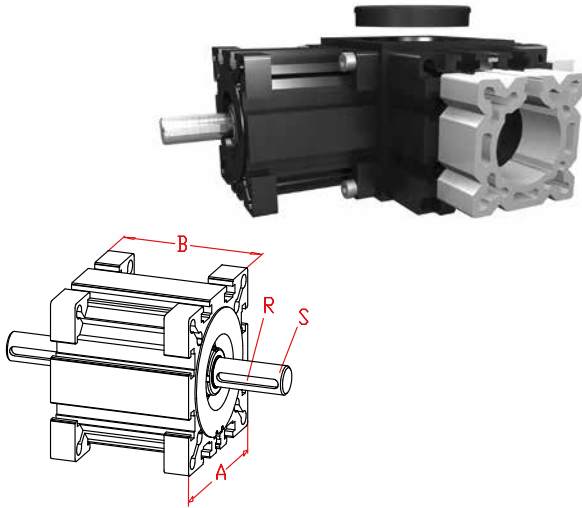
Code-No.	Type	Ø A	Ø D	E	Ø F	G	H	J	Gear ring	Shore-Scala	Torque [Nm]	
											TKN	TK max
03412	14	19   19,05	40	50	44	38,5	11,5	32	98	A	12,5	25
		22   24							64	D	16	32

### Flange coupling



Code-No.	Type	Ø A	Ø B	Ø C	Ø D	E	F	G	H	Gear ring	Shore-Scala	Torque [Nm]	
												TKN	TK max
039265	14	43	40	31,5	5	24	12,5	3	5	98	A	12,5	25
										64	D	16	32

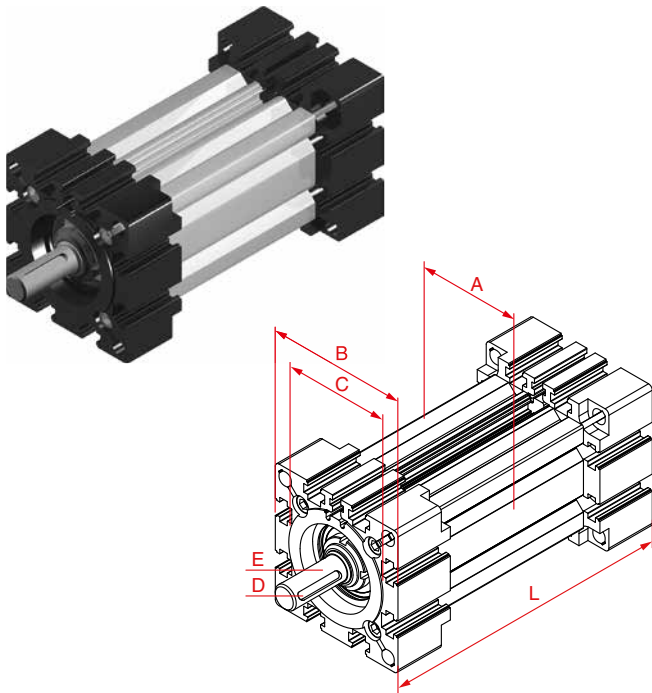
## Angular gear box EL / EG



Code No.	Type	i	m	A	B	R	S ∅ x l	Torque
00731	30	1:1	1	42	38	--	5x15	2 Nm
00741	40	1:1	2	58	50	3x3	10x27	5 Nm
00742	40	1:1,5	1,5	58	50	3x3	10x27	5 Nm
00761	60	1:1	2,5	82	70	5x5	14x35	15 Nm
00762	60	1:1,5	2	82	70	5x5	14x35	15 Nm
00781	80	1:1	3	102	90	6x6	18x45	25 Nm
00782	80	1:1,5	3	102	90	6x6	18x45	25 Nm
00711	100	1:1	4	130	110	6x6	22x45	30 Nm
00712	100	1:1,5	3	130	110	6x6	22x45	30 Nm

Complete self-centering gear. Can easily be retrofitted to any EG or EL unit. Packed with grease for lubrication.

## Transmission unit EL / EG

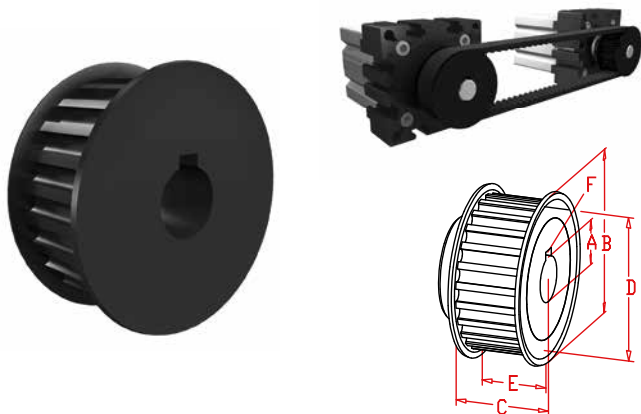


A shaft carried on ball bearings in an aluminium hollow section can be used to transmit torque or as a joining element for combining parallel linear units or as an individual element in angular operation.

Code-No.	Type	A	B	C	D	E	L <sub>min</sub>	L <sub>max</sub>
01931	30	30	42	40 x 0,7	-	5 x 15	38	3.000
01932	30 no shaft	30	42	40 x 0,7	-	-	38	3.000
01941	40	40	58	48 x 1	3 x 3	10 x 27	50	6.000
01942	40 no shaft	40	58	48 x 1	-	-	50	6.000
01961	60	60	82	62 x 1	5 x 5	14 x 35	100	6.000
01962	60 no shaft	60	82	62 x 1	-	-	100	6.000
01981	80	80	102	80 x 1	6 x 6	18 x 45	90	6.000
01982	80 no shaft	80	102	80 x 1	-	-	90	6.000
01911	100	100	130	110 x 1	6 x 6	22 x 45	110	6.000
01912	100 no shaft	100	130	110 x 1	-	-	110	6.000

01941 0750 Sample order code: Size 40, length L = 750 mm

## Toothed pulley HTD



Material St 50, secured with key.

Code-No.	Type	A	B	C	D	E	F	Number of teeth	Spacing
00450	EL/EG 30	6	23	26	18,3	15	2x2	20	3x15
00451	EL/EG 40	10	36	26	30,7	15	3x3	20	5x15
00452	EL/EG 60 DL/DS120	14	44	38	40,2	25	5x5	26	5x25
00453	EL/EG 80 DL/DS160	18	54	38	49,8	25	6x6	32	5x25
00454	EL100	22	66	48	61,1	38	6x6	24	8x30



## Accessories

Toothed belt | Parallel transfer unit | Connecting profiles

### Toothed belt endless HTD



Code-No.	Type	Belt	Tensile force
00550	EL/EG 30	3M15	200 N
00551	EL/EG 40	5M15	390 N
00556	EL/EG 40	5M09	298 N
00552	EL/EG 60	5M25	894 N
00553	EL/EG 80	5M25	894 N
00554	EL 100	8M30	1070 N
00555	EL 100	8M20	980 N

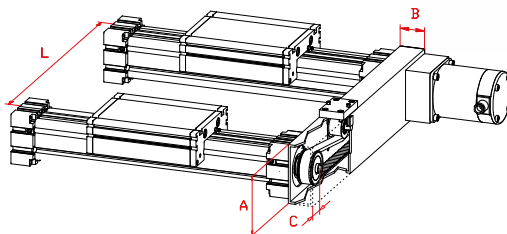
00551	0700
-------	------

Sample order code:  
Belt 5M15 perimeter: 700 mm

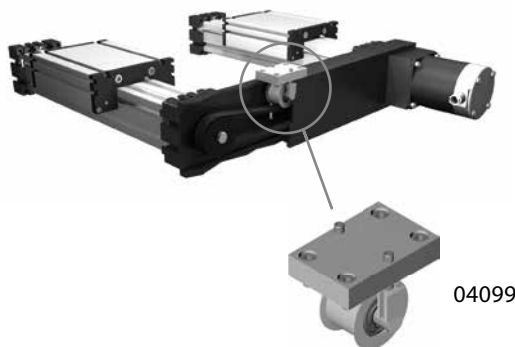
### Parallel transfer unit for spindle drives

Black anodized aluminium tube with plastic end caps, pulleys fixed with keys or tension rings. Spindle centers are multiples of 5 or 8 mm, according to belt pitch.

DL / DS



EL / EG / Q



Code-No.	Type	A	B	C	L <sub>max</sub>	Belt
T13030	EL/EG 30	50	25	25	1.200	5M 9
T13040	EL/EG 40	80	40	30	1.500	5M 15
T13060	EL/EG/Q 60	100	50	42	2.000	5M 25
T13061	DL/DS 120 *	60	50		2.000	5M 25
T13080	EL/EG/Q 80	120	50	52	2.000	5M 25
T13081	DL/DS 160 *	80	50		2.000	5M 25
T13010	EL/Q 100	160	80	66	3.000	8M 30

\* Parallel transfers are special designed parts. Dimensions given in the documentation are samples.

T13060	500
--------	-----

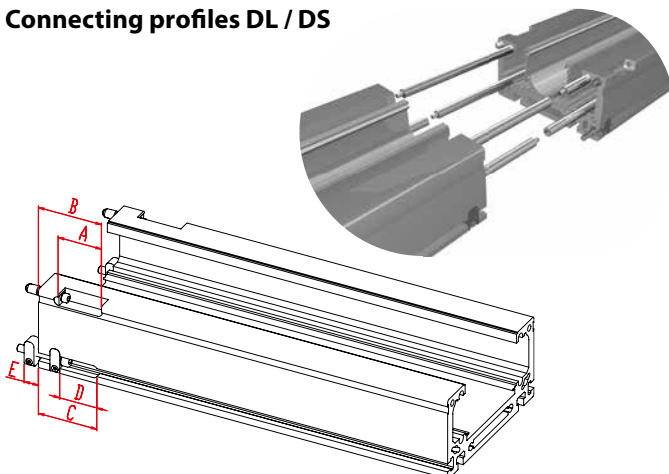
Sample ordering code: Center-distance of axis L = 500 mm

For center-distances higher than 800mm you have to use an additional tensioning device code-number 04099.

Tensioning device	
Code-No.	B
04099-40	40
04099-50	50
04099-60	60

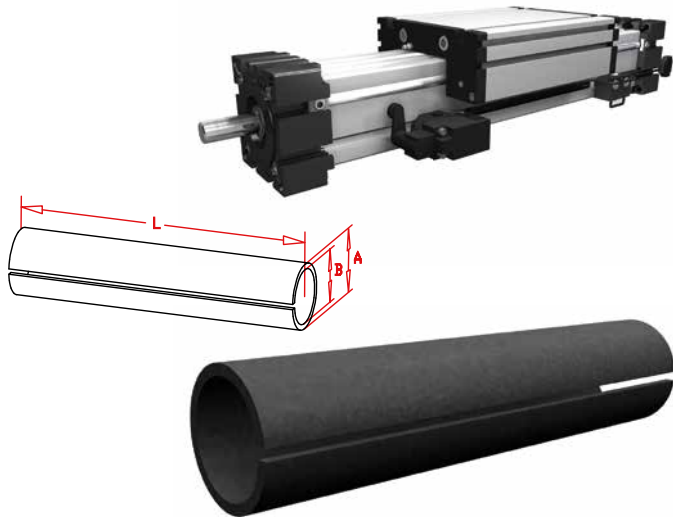
### Connecting profiles DL / DS

The millings for the extensions are directly incorporated into the profile, so that there is only one transition point in the profile. The guide shafts or rail guides are jointed at a different position. To ensure that even the smallest tolerance deviations are avoided, only pieces of the same lots are joined to each other.



Code-No.	Type	A	B	C	D	E
03090_02	DS 120	47,5	66	78	56	12
03090_01	DL 120	47,5	66	78	56	12
03091_02	DS 160	39	58	78,5	56,5	12
03091_01	DL 160	39	58	78,5	56,5	12
03092_02	DS 200	53	77	71,3	45,3	17,55
03092_01	DL 200	53	77	71,3	45,3	17,55

## Cable conduit EL / ML / QS



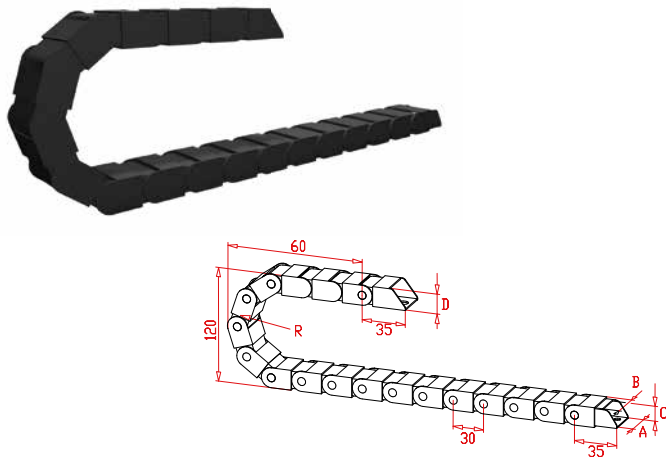
Slotted plastic tube for cabling directly onto body of linear unit. The tube can simply be pressed into the half-round slot in the body and will be securely retained there.

Code-No.	Type	A	B	L
02806	EL 40	6	4	max. 50m
02810	EL/ML/Q 60	10	7,5	max. 50m
02812	EL/ML/Q 80	12	8,5	max. 50m
02816	EL/ML/Q 100	16	12	max. 50m
02820	EL/QS 125	20	15	max. 50m

02816	1000
-------	------

Sample ordering code:  
Plastic tube for EL 100, 1000 mm long.

## Cable chain



Black plastic, one floating and one fixed mounting bracket. The inner face opens like a zip, enabling cable to be inserted easily.

Code-No.	Type	Name	A	B	C	D	
02115	15	Cable chain	25,5	15	18	23	
02125	25	Cable chain	35,5	25	18	23	
02138	38	Cable chain	48	38	18	23	
02150	50	Cable chain	60	50	18	23	
02116	15	fixing brackets (2 pieces)					
02126	25	fixing brackets (2 pieces)					
02139	38	fixing brackets (2 pieces)					
02151	50	fixing brackets (2 pieces)					