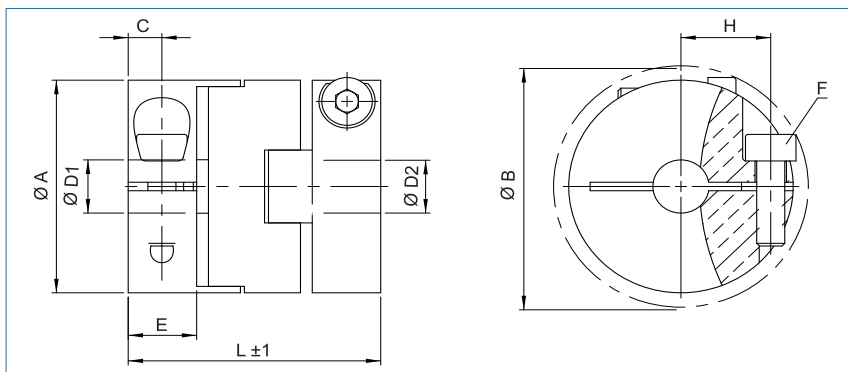
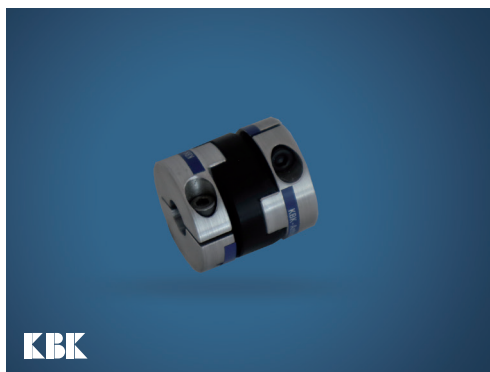


Oldham Coupling

with collet clamps, compact

optional full stainless steel version



Order Code

KBX2C / 25 - 5 - 10

Type / Size

ØD1 (H7)

ØD2 (H7)

Size	Torque TKN (Nm)	max. Torque (Nm)	Dimensions (mm)								Technical Data						
			L	Ø A	D1/D2	E	C	H	Ø B	F	Mass (g)	Moment of Inertia J (g m²)	Spring Stiffness torsional CT (Nm/rad)	Misalignment			max speed min-1
			Length	Outer Ø	Bore Size (H7) min-max					Screw (ISO4762) TA (Nm)				radial ΔKr (mm)	axial ΔKa (mm)	angular ΔKw (°)	
12	0.9	1.8	16.5	12	3-5	4.9	2.5	4.1	18	M2x6 0.5	3.8	0.8	55	1	0.05	1.5	15000
16	1	2	21	16	3-6	6.3	3	5	20	M2.5x6 1	8.7	3.2	65	1	0.1	1.5	13000
20	1.5	3	22.5	20	4-8	6.4	3	6.5	25	M2.5x8 1	12.7	7.3	120	1.5	0.1	1.5	11000
25	2.5	5	27	25	5-10	7.7	3.8	8	33	M3x10 1.7	25.4	22.7	200	2	0.1	1.5	10000
32	7	14	35	32	6-15	9.5	4.8	11	40	M4x12 3.5	50	76.2	620	2.5	0.1	1.5	9000

Transmittable torque (Nm) depending on shaft diameter (mm)													
Size	3	4	5	6	7	8	9	10	11	12	13	14	15
12	1.4	1.5	1.6										
16	1.9	2	2.2	2.3									
20		2.5	2.6	2.7	2.9	3							
25			5.1	5.3	5.6	5.8	6.1	6.3					
32				11	11	12	12	13	13	13	14	14	15

Material	Hub: aluminium or stainless steel Torque disc: Acetal
Hub	bore tolerance: H7
Keyway	optional acc. DIN 6885