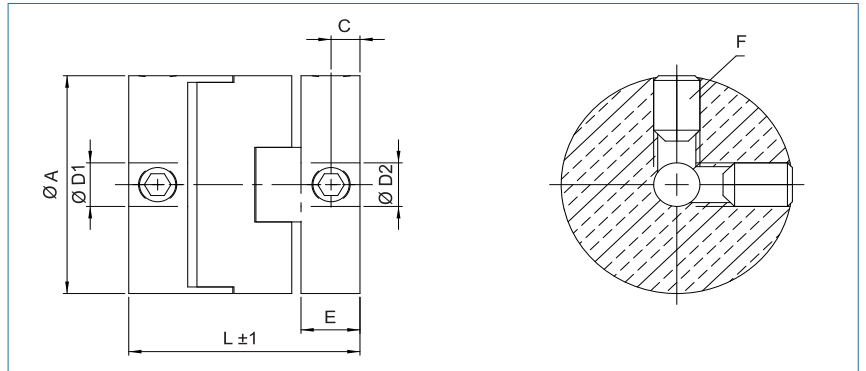
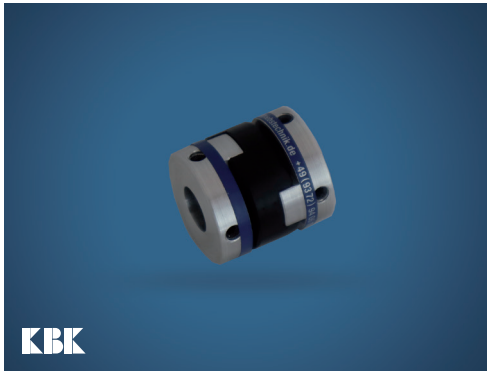


Oldham Coupling

with set screw

optional full stainless steel version



Order Code

KBX1C / 25 - 5 - 10

Type / Size

ØD1 (H7)

ØD2 (H7)

Size	Torque TKN (Nm)	Dimensions (mm)						Technical Data						
		L	Ø A	D1/D2	E	C	F	Mass (g)	Moment of Inertia J (g m²)	Spring Stiffness torsional CT (Nm/rad)	Misalignment			max speed min-1
		Length	Outer Ø	Bore Size (H7) min-max			Screw (ISO4762) TA (Nm)				radial ΔKr (mm)	axial ΔKa (mm)	angular ΔKw (°)	
12	0.9	14.5	12	3-5	3.9	2	M3x3 0.7	3.5	0.68	55	1	0.05	1.5	15000
16	1.0	18	16	3-7	4.8	2.3	M3x4 1	6.5	2.43	65	1	0.1	1.5	13000
20	1.5	20	20	4-8	5.1	2.5	M4x6 1.7	13	7.30	120	1.5	0.1	1.5	11000
25	2.5	25.5	25	5-10	6.9	3	M4x6 1.7	24.5	22	200	2	0.1	1.5	10000
32	7	32	32	6-15	8	4	M5x8 4	46	70.5	620	2.5	0.2	1.5	9000



Material Hub: aluminium or stainless steel
Torque disc: Acetal

Hub bore tolerance: H7

Keyway optional acc. DIN 6885