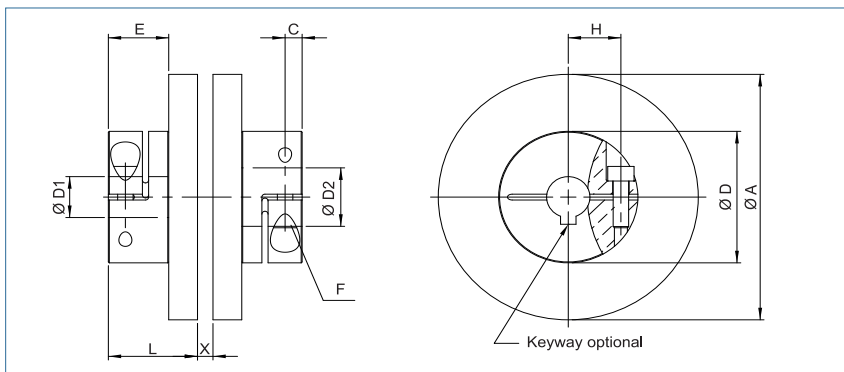
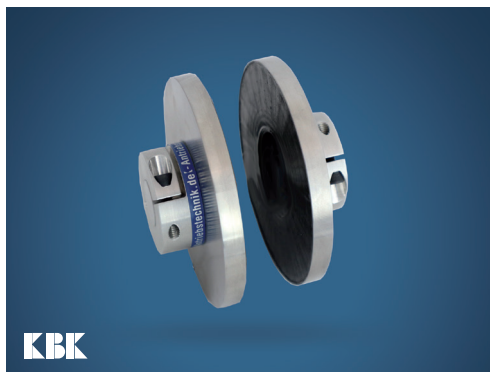


## magnetic disc coupling

with collet clamps



Order Code

**AMK - 10 - 16 - 20**

Type

Size

D1

D2

Size	Torque TKN (Nm)	Dimensions (mm)							Technical Data				
		L (mm)	ØA (mm)	D1/ D2 Bore Size (H7) min~max	Ø D (mm)	E (mm)	C	H	F Screw (ISO4762) TA (Nm)	TA (Nm)	J (kg cm <sup>2</sup> )	n (min <sup>-1</sup> )	m (kg)
2	2	30	84	8-25.4	45	19.5	5.5	17.5	M5 8	8	7.5	13500	0.3
10	15	30	100	8-25.4	45	19.5	5.5	17.5	M5 8	8	7.9	11000	0.7
15	20	34	124	10-32	56	24.5	7.5	20	M6 15	15	10.2	9100	1.2
25	35	35	144	10-32	56	24.5	7.5	20	M6 15	15	10.6	7500	1.6



**Material**

Clamping hub: aluminium  
Magnetic media: stainless steel

**Keyway**

optional acc. DIN 6885/1