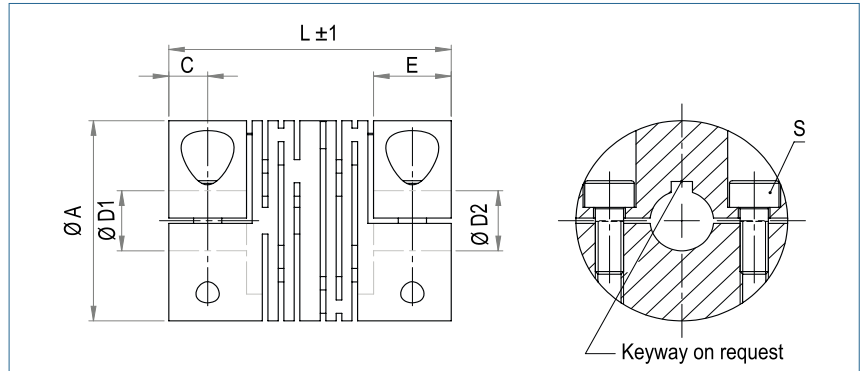


Slit Coupling

with split hubs



Order Code

KBFH / 40 - 10 - 16 - VA

Type / Size

ØD1
(H7)

ØD2
(H7)

Material

Size	Torque TKN (Nm) AL	Torque TKN (Nm) VA	Dimensions (mm)						Technical Data									
			L	Ø A	D1/D2	E	C	S	Mass (g) AL	Mass (g) VA	Moment of Inertia J AL (g m ²)	Moment of Inertia J VA (g m ²)	Spring Stiffness		Misalignment			max speed min-1
			Length	Outer Ø	Bore Size (H7) min-max	Screw (ISO4762) TA (Nm)	torsional CT 10 ³ (Nm/rad) AL	torsional CT 10 ³ (Nm/rad) VA					radial ΔKr (mm)	axial ΔKa (mm)	angular ΔKw (°)			
25	7	16	28	25	6-12	8	4	M3x10 1.5	27	74	0.00228	0.00631	0.733	1.558	0.1	1	1.0	8000
30	10	25	40	30	6-14	11	5.5	M4x10 3.4	55	160	0.00680	0.01860	0.868	2.530	0.1	0.85	1.0	6000
40	19	36	48	40	6-19	11	5.5	M5x14 7	118	340	0.02790	0.07580	3.767	11.008	0.15	0.85	1.0	5000
50	35	73	65	50	10-26	19	9.5	M6x16 14	250	685	0.08970	0.24600	7.196	20.995	0.15	0.7	1.5	5000
60	70	110	80	60	10-30	25	12.5	M8x18 27	500	1305	0.25370	0.69400	12.750	37.165	0.15	0.7	1.5	4500
70	130	190	95	70	15-35	25	12.5	M8x25 27	750	2075	0.50660	1.40700	66.768	196.024	0.1	0.33	1.0	4000
80	180	240	100	80	20-40	25	12.5	M8x30 27	1040	2755	0.96240	2.62000	78.189	229.524	0.1	0.33	1.0	3500



Material	coupling: aluminium or stainless steel
Hub	bore tolerance: H7
Keyway	optional acc. DIN 6885
Special material on request.	