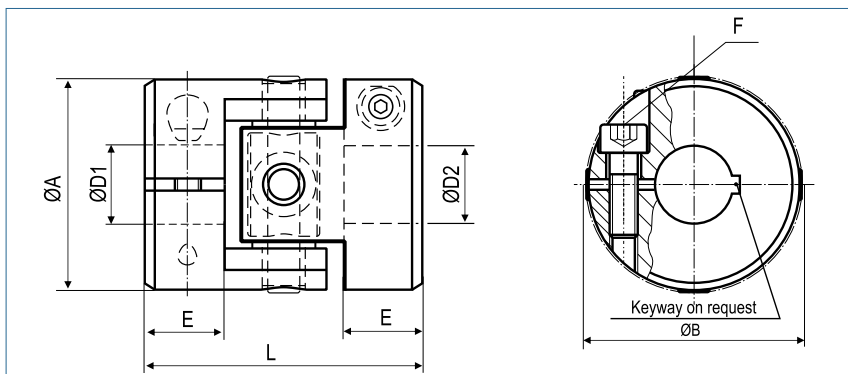


Cardan Coupling

with collet clamps

optional full stainless steel version



Order Code

GK-T / 27 - 6 - 10

Type / Size

ØD1 (H7)

ØD2 (H1)

Size	Torque T_{KN} (Nm)	Torque T_{kmax} (Nm)	Dimensions (mm)					Technical Data						
			L Length	Ø A Outer Ø	D1/D2 Bore Sizes (H7)	B	E Hub-Length	F Screw (ISO 4762) TA (Nm)	Mass (kg)	Moment of Inertia J (kg mm ²)	Torsional Stiffness CT (Nm/rad)	Misalignment		max. speed rpm
												radial ΔKr (mm)	angular ΔKw (°)	
18	2	3	24	18	3-10	19	5.5	M2 0.54	0.011	0.526	458	0.6	6	10000
27	5	10	36	27	4-14	30	10.5	M3 1.9	0.040	4.30	802	1	6	7500
35	10	18	37	35	5-20	39	11	M4 4.6	0.069	12.19	1701	1.5	6	6000
56	35	100	53	56	8-32	61	15	M6 15.7	0.278	124	20630	2	6	3750
75	100	250	83	74.5	10-41	80	25	M8 38	0.76	609	51575	2	6	2850
100	250	580	97	100	20-55	106	27	M12 130	1.60	2246	85943	2.5	6	2100

Transmittable torque (Nm) depending on shaft diameter (mm)																								
Size	3	4	6	8	10	14	15	16	18	20	22	24	25	28	30	32	35	38	40	42	45	48	50	55
18	1.9	2	2.3	2.5	2.8																			
27		6.9	7.4	8.0	8.6																			
35			16.4	17.4	18.5	20.5	20.9	21.6	22.6	23.6														
56				57	59	64	65	66	69	72	73	76	78	80	83	85								
75					143	151	153	156	160	164	166	173	175	181	186	190	196	199	207					
100										475	485	495	504	515	525	530	550	560	575	580	600	615	625	650

+ **Material** inner ring - aluminium
hub - aluminium
pin - steel

Temperature Range -100 °C ~ 250 °C