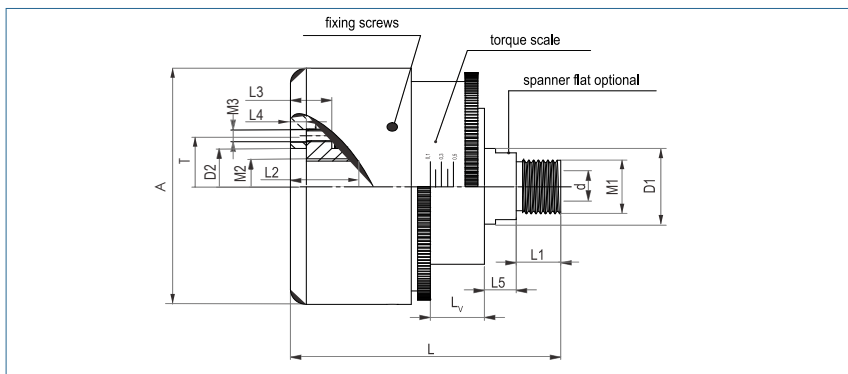
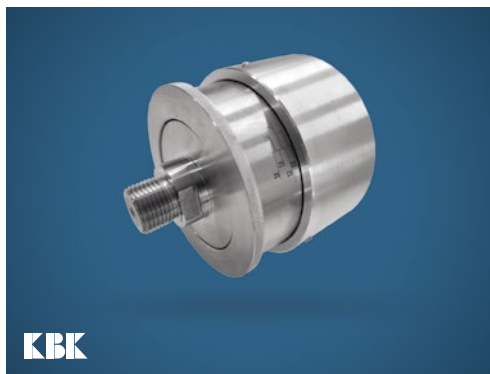


optional full stainless steel version

Hysteresis Clutch

with inner and outer threads



Order Code **HSM - 2a - M18x1.5 - M18x1.5**

Type Size M1 M2

Size	Torque TKN (Nm)	Dimensions (mm)													
		L Length (mm)	L1 Spigot-length (mm)	L2 Thread-length (mm)	L3 Thread-length (mm)	L4 Centering-length (mm)	L5 Centering-length (mm)	A Outer Ø (mm)	d Bore (mm)	D1 Centering Ø (h7)	D2 Centering Ø (H7)	M1 / M2 Male Thread/ Female Thread	M3 Fixing Threads	T Pitch circle (mm)	L _v Adjusting-length (mm)
1a	0.4 - 1.0	70	14	25	10	5	10	73	10	20	18	M16 x 1.5	M3	25	8
1b	0.2 - 0.5	70	14	25	10	5	10	73	10	20	18	M16 x 1.5	M3	25	8
2a	0.8 - 2.0	85	14	25	10	5	10	79	10	25	25	M18 x 1.5	M4	33	10
2b	0.1 - 1.3	85	14	25	10	5	10	79	10	25	25	M18 x 1.5	M4	33	10
4a	1.6 - 4.0	85	14	25	10	5	10	105	10	30	30	M24 x 1.5	M4	48	10
4b	0.2 - 2.6	85	14	25	10	5	10	105	10	30	30	M24 x 1.5	M4	48	10

Material	housing: aluminum magnetic body parts: stainless steel
Threads	different sizes on request
Temperature Range	0 °C ~ 40 °C (higher temperatures on request)
max. Power Dissipation	$P_v = (T \times n_s) / 9.55$

Size	Technical Data				
	Mass (kg)	Inertia inner part M1 (g m²)	Inertia outer part M2 (g m²)	max. power dissipation (W)	max speed (min⁻¹)
1a	0.8	0.13	0.36	15	4000
1b	0.8	0.13	0.36	15	4000
2a	1.2	0.25	0.62	23	3500
2b	1.2	0.25	0.62	23	3500
4a	1.9	0.79	1.62	30	3000
4b	1.9	0.79	1.62	30	3000

Characteristics	wear-free maintenance-free The coupling consists of 2 separated halves with integrated ball bearings Infinitely variable torque adjustable by using the torque scale In case of overload the power transmission will be separated from the inner and outer part (by slightly jerking)
------------------------	---