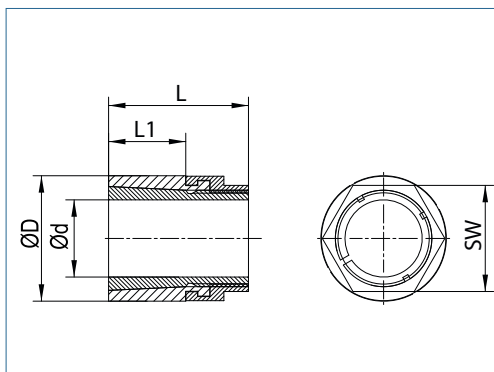


Locking Device

optional full stainless steel version

nickel-zinc-plating inclusive



| | |
|---|-------|
| transmittable torque | low |
| surface pressure on hub | low |
| self-centering | yes |
| axial movement of the hub during assembly | yes |
| height D/d | flat |
| overall length | short |

Order Code **KBS 56 - 8 x 20**
Type Ød ØD

Recommended finishing tolerances of contact surfaces are: shaft js 9 / hub JS 9

| Inner / Outer d x D | Torque T Nm | Dimensions | | | Surface pressure on | | Axial Force F _{AX} (kN) | T _A (Nm) | Mass g |
|------------------------|-------------------|------------|-----------|----------|--|--|--|------------------------|-----------|
| | | L mm | L 1 mm | SW mm | Shaft P _w N/mm ² | Hub P _n N/mm ² | | | |
| 5 x 16 | 11 | 19 | 10 | 13 | 233 | 23 | 4 | 10 | 19.0 |
| 6 x 16 | 13 | 19 | 10 | 13 | 192 | 27 | 4 | 10 | 18.0 |
| 7 x 20 | 35 | 22 | 11 | 16 | 344 | 42 | 10 | 28 | 34.0 |
| 8 x 20 | 40 | 22 | 11 | 16 | 301 | 48 | 10 | 28 | 33.0 |
| 9 x 20 | 45 | 22 | 11 | 16 | 268 | 54 | 10 | 28 | 32.0 |
| 10 x 23 | 65 | 26 | 13 | 19 | 265 | 50 | 13 | 44 | 49.0 |
| 11 x 23 | 72 | 26 | 13 | 19 | 243 | 56 | 13 | 44 | 47.0 |
| 12 x 23 | 79 | 26 | 13 | 19 | 224 | 61 | 13 | 44 | 45.0 |
| 14 x 26 | 118 | 29 | 16 | 22 | 200 | 58 | 17 | 66 | 65.0 |
| 15 x 26 | 126 | 29 | 16 | 22 | 186 | 62 | 17 | 66 | 62.0 |
| 16 x 26 | 135 | 29 | 16 | 22 | 175 | 66 | 17 | 66 | 59.0 |
| 20 x 45 | 290 | 48 | 22 | 38 | 175 | 35 | 29 | 85 | 82.0 |
| 22 x 45 | 315 | 48 | 22 | 38 | 157 | 38 | 29 | 85 | 84.0 |
| 24 x 45 | 380 | 48 | 22 | 38 | 159 | 45 | 31 | 85 | 89.0 |
| 25 x 45 | 390 | 48 | 22 | 38 | 150 | 46 | 31 | 85 | 93.0 |