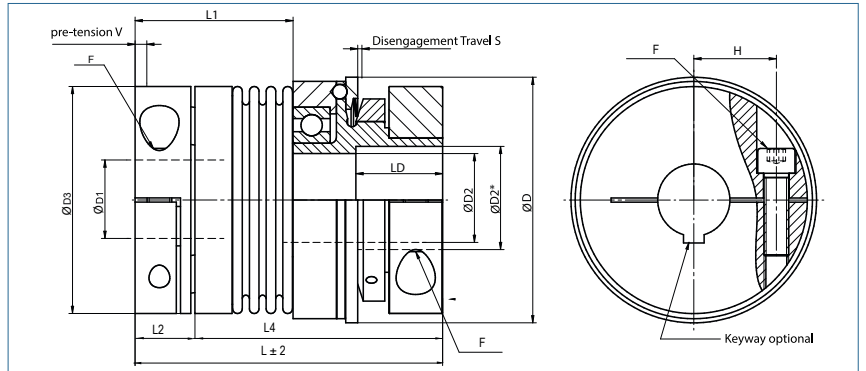


## Safety Coupling

axial pluggable, with collet clamp

optional  
nickel-plated version  
optional full stainless  
steel version

optional  
laserwelded



Order Code

**KBK/BKPK-60 - 121 - 16H7 - 14H7 - 20Nm - C or D - 1**

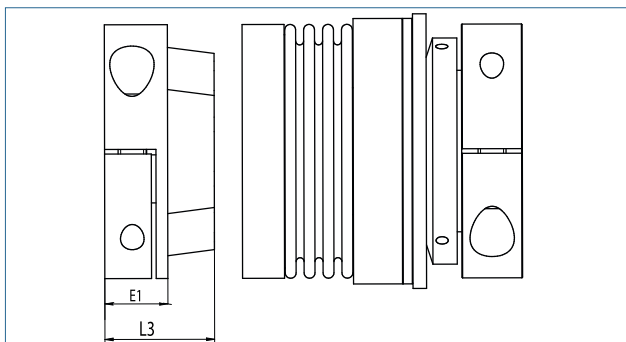
Type                      Size                      Length                      ØD1 (H7)                      ØD2 (H7)                      Disengagement Torque                      Torque Range

C = Single Position    D = Multi Position Engagement

Size	Dimensions (mm)									Technical Data										
	ØD	L	Ø D1	Ø D2	Ø D3	H	F	L1	S	max. speed (1/min)	Mass (kg)	Moment of Inertia J (kg cm²)	Torque Range		Spring Stiffness			Misalignment		
	Outer Ø	Length	Bore Size (H7) min~max	Bore Size (H7) min~max	Hub Ø	Screw ISO4762 TA (Nm)			1 TKN (Nm)				2 TKN (Nm)	torsional x10³ CT (Nm/rad)	radial CR (N/mm)	axial CA (N/mm)	radial Δ Kr (mm)	axial Δ Ka (mm)	angular Δ Kw (°)	
-2	29	52	3-14	3-8	25	9	M3	27	0.7	13200	0,07	0,068	0.2 - 1.5	0.5 - 2	1.5	67	12	0.15	0.3	1.5
		58	10#				1.3	21							11	0.20	0.4	1.5		
		62		2			37	1.0							11	9	0.25	0.5	2	
-4.5	36	64	6-16	6-13	32.5	12	M4	34	0.7	12300	0,15	0,22	1 - 3	3 - 6	6.5	168	32	0.1	0.3	1.5
		72	11#	9#			3.5	43							4.2	41	20	0.2	0.5	2
-7	49	73	6-25	6-16	40	15.5	M4	42	0.7	11690	0,31	0,866	1 - 4	3 - 7	8.1	120	27	0.15	0.4	1.5
		83	18#	11#			5.1	51							6.8	29	17	0.3	0.6	2
-10	49	73	6-25	6-16	40	15.5	M4	42	0.7	11690	0,31	0,866	3 - 5	5 - 10	8.1	120	27	0.15	0.4	1.5
		83	18#	11#			5.1	51							6.8	29	17	0.3	0.6	2
-30	64	91	10-30	10-20	56	20	M6	47	1.2	9540	0,75	3,59	5 - 15	10 - 30	38	720	50	0.15	0.6	1.5
		100	22#	14#			15	55							28	225	28	0.25	1	2
-60	79	111	12-35	12-28	66	23	M8	56	1.2	8180	1,21	8,65	12 - 35	20 - 60	75	1150	90	0.15	0.6	1.5
		121	27#	21#			40	66							50	340	50	0.25	1	2

<b>Bore</b>	> Ø D2 and ≤ D2* only over LD
<b>Material</b>	bellows – stainless steel collet clamp - aluminium plug hub- aluminium
<b>Keyway</b>	optional acc. DIN 6885 biggest bore marked with a #
<b>Temperature Range</b>	-30 °C ~ 120 °C

	Dimensions (mm)			
	E1	L2	L3	V
KBK/BKPK 2	10	11	16	0,5
KBK/BKPK 4,5	12	13	20	0,5
KBK/BKPK 7	12	13	21	0,5-1,0
KBK/BKPK 10	12	13	21	0,5-1,0
KBK/BKPK 30	17	19	31	0,5-1,0
KBK/BKPK 60	21	23	35	0,5-1,5



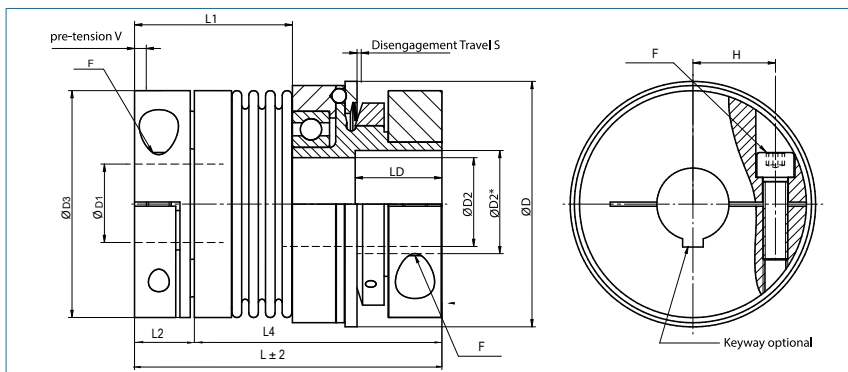
Size	2	4,5	7	10	30	60
D2*	11	X	20	20	26	31
LD	15	X	20	20	28	38

### Safety Coupling

axial pluggable, with collet clamp

optional  
nickel-plated version  
optional full stainless  
steel version

optional  
laserwelded

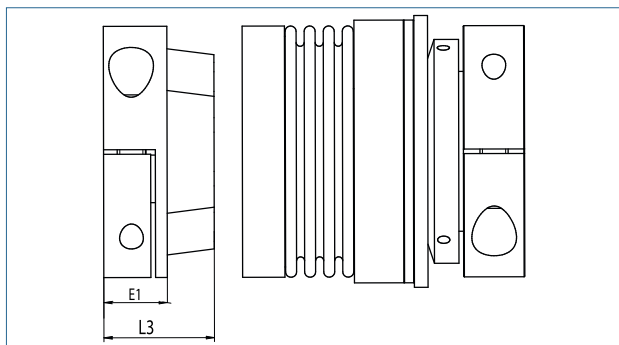


<b>Order Code</b>	<b>KBK/BKPK-80 - 117 - 12H7 - 20H7 - 25Nm - C or D - 1</b>						
	Type	Size	Length	ØD1 (H7)	ØD2 (H7)	Disengagement Torque	Torque Range
						C = Single Position D = Multi Position Engagement	

Size	Dimensions (mm)									Technical Data										
	ØD	L	Ø D1	Ø D2	Ø D3	H	F	L1	S	max. speed (1/min)	Mass (kg)	Moment of Inertia J (kg cm <sup>2</sup> )	Torque Range		Spring Stiffness			Misalignment		
	Outer Ø	Length	Bore Size (H7) min-max	Bore Size (H7) min-max	Hub Ø	Screw ISO4762 TA (Nm)			1 TKN (Nm)				2 TKN (Nm)	torsional x10 <sup>3</sup> CT (Nm/rad)	radial CR (N/mm)	axial CA (N/mm)	radial Δ Kr (mm)	axial Δ Ka (mm)	angular Δ Kw (°)	
-80	94	117 129	12-44 36#	14-35 27#	82	28	M10 72	61,5 72,5	2	6220	2,44	26,5	15 - 40	30 - 80	128 75	1200 400	80 50	0.2 0.25	0.5 0.8	1.5 2
-150	94	117 129	14-44 36#	14-35 27#	82	28	M10 84	61,5 72,5	2	6220	2,44	26,5	50 - 130	65 - 150	155 105	2020 595	145 85	0.2 0.25	0.5 0.8	1.5 2
-200	109	129 142	16-48 39#	22-41 33#	90	31	M12 125	67 79	2	5720	3,44	48,6	30 - 90	80 - 200	175 116	2500 460	147 82	0.2 0.25	0.5 0.8	1.5 2
-300	119	149 159	20-60 50#	30-50 41#	110	39	M12 145	76 87	2	5200	4,79	91,6	60 - 200	150 - 300	502 285	6300 1400	280 145	0.2 0.25	0.5 0.8	1.5 2
-500	129	182 194	25-70 58#	35-56 46#	122	42	M12 145	94 105	2	4470	7,65	178,8	80 - 250	200 - 500	690 320	7790 970	100 85	0.2 0.25	0.5 1	1.5 2

<b>Bore</b>	> Ø D2 and ≤ D2* only over LD
<b>Material</b>	bellows – stainless steel collet clamp - aluminium plug hub- aluminium
<b>Keyway</b>	optional acc. DIN 6885 biggest bore marked with a #
<b>Temperature Range</b>	-30 °C ~ 120 °C

	Dimensions (mm)			
	E1	L2	L3	V
KBK/KBPK 80	21,5	23.5	37.5	0.5-1.5
KBK/KBPK 150	21,5	23.5	37.5	0.5-1.5
KBK/KBPK 200	24	26	42	0.5-1.5
KBK/KBPK 300	27	29	47	0.5-1.5
KBK/KBPK 500	42	44	66	0.5-2.0



Size	80	150	200	300	500
D2*	38	38	X	57	62
LD	34	34	X	42	56