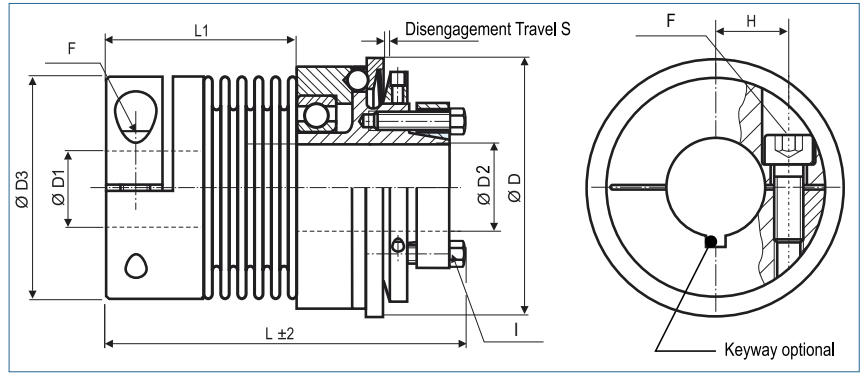


Safety Coupling

with collet clamp and outer cone

optional  
nickel-plated version  
optional full stainless  
steel version

optional  
laserwelded



Order Code

**KBK/BKA - 60 - 108 - 16H7 - 14H7 - 20Nm - C or D - 1**

Type      Size      Length      ØD1 (H7)      ØD2 (H7)      Disengagement Torque      Torque Range  
 C = Single Position    D = Multi Position Engagement

Size	Dimensions (mm)										Technical Data										
	ØD	L	Ø D1	Ø D2	Ø D3	H	F	L1	I	S	max. speed (1/min)	Mass (kg)	Moment of Inertia (kg cm <sup>2</sup> )	Torque Range		Spring Stiffness			Misalignment		
	Outer Ø	Length	Bore Size (H7) min-max	Bore Size (H7) min-max	Hub Ø	Screw ISO4762 TA (Nm)	Screw ISO4017 TA (Nm)	1 TKN (Nm)	2 TKN (Nm)	torsional x10 <sup>3</sup> CT (Nm/rad)				radial CR (N/mm)	axial CA (N/mm)	radial Δ Kr (mm)	axial Δ Ka (mm)	angular Δ Kw (°)			
-10	49	67	6-25	5-14	40	15.5	M4	34	M3	0.7	11690	0.24	0.6	3 - 7	5 - 10	8.1	120	27	0.15	0.4	1.5
		77		10#			5.1	43	2.1					6.8	29	17	0.3	0.6	2		
-30	64	81	10-32	12-20	56	20	M6	40.5	M5	1.2	9540	0.71	2.9	5 - 15	10 - 30	38	720	50	0.15	0.6	1.5
		90	30#	14#			15	48.5	5.9					28	225	28	0.25	1	2		
-60	79	98	12-32	15-25	66	23	M8	50	M5	1.2	8180	1.29	7.9	12 - 35	20 - 60	75	1150	90	0.15	0.6	1.5
		108	18#	36			60	8.7	50					340	50	0.25	1	2			
-80	94	115	14-42	20-35	82	28	M10	57.5	M6	2	6220	2.89	25	15 - 40	30 - 80	128	1200	80	0.2	0.5	1.5
		127		27#			72	68.5	15					75	400	50	0.25	0.8	2		
-150	94	115	19-42	20-35	82	28	M10	57.5	M6	2	6220	2.89	25	50 - 130	65 - 150	155	2020	145	0.2	0.5	1.5
		126		27#			72	68.5	15					105	595	85	0.25	0.8	2		
-200	109	122	22-45	20-42	90	31	M12	63	M6	2	5720	3.5	42	30 - 90	80 - 200	175	2500	147	0.2	0.5	1.5
		135		34#			125	75	15					116	460	82	0.25	0.8	2		
-300	119	140	30-60	25-50	110	39	M12	67	M8	2	5200	5.23	79	60 - 200	150 - 300	502	6300	280	0.2	0.5	1.5
		150		41#			125	78	25					285	1400	145	0.25	0.8	2		
-500	129	154	34-70	35-55	122	42	M12	70	M8	2	4470	7.5	135	80 - 250	200 - 500	690	7790	100	0.2	0.5	1.5
		165		45#			125	81	36					320	970	85	0.25	1	2		

**Material**      outer cone – steel  
 bellows - stainless steel  
 collet clamp - aluminium;  
 from Size 80 - steel

**Keyway**      optional acc. DIN 6885  
 biggest bore marked with a #

**Temperature Range**    -30 °C ~ 120 °C