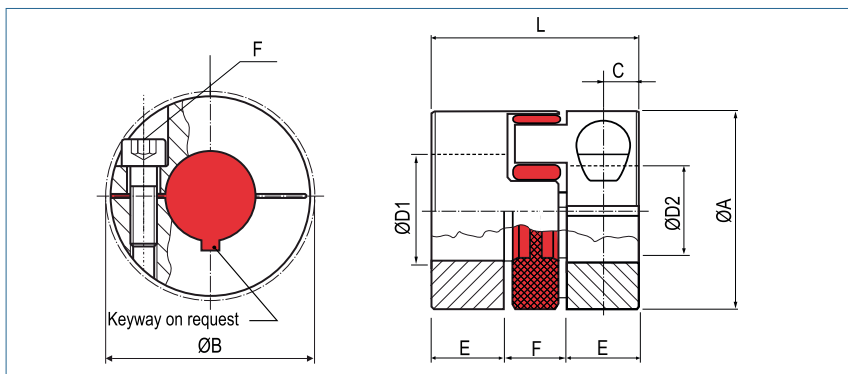


Servo Insert Coupling

with collet clamps, compact

optional full stainless steel version



Order Code

KBE2C - 38 - 20 - 40 - 98Sh

Type Size ØD1 (H7) ØD2 (H7) Shore-hardness

| Size | Dimensions (mm) | | | | | | | | Technical Data | | | |
|------|-----------------|-------------|---------------------------------------|------|----|------|------|---------------------------------|-------------------------|-------------------------|------------------------------------|-------------|
| | Ø A Outer Ø | L Length | Ø D1-D2 Bore Sizes (H7) min-max | E | F | C | B | G Screw (ISO4762) TA (Nm) | max. speed rpm. (1/min) | Mass (per coupling) (g) | Moment of Inertia J (per coupling) | Torque (Nm) |
| 7 | 14 | 18 | 3 - 7 | 5 | 8 | 2.5 | 16.6 | M2 0.43 | 27000 | 6 | 0.00018 | 2 |
| 9 | 20 | 24 | 4 - 11 | 7 | 10 | 3.5 | 21.3 | M2.5 0.85 | 19000 | 15 | 0.00085 | 3 |
| 14 | 30 | 32 | 4 - 16 | 9.5 | 13 | 5 | 30.5 | M4 4.5 | 13000 | 45 | 0.0166 | 12.5 |
| 19 | 40 | 50 | 8 - 21 | 17 | 16 | 8.5 | 45.7 | M6 15 | 10000 | 139 | 0.0311 | 17 |
| 24 | 55 | 58 | 10 - 32 | 20 | 18 | 10 | 56.4 | M6 15 | 7000 | 271 | 0.119 | 60 |
| 28 | 65 | 62 | 14 - 37 | 21 | 20 | 11 | 72.6 | M8 40 | 6000 | 429 | 0.254 | 160 |
| 38 | 80 | 86 | 15 - 48 | 31 | 24 | 15 | 83.3 | M10 84 | 5000 | 888 | 0.828 | 325 |
| 42 | 95 | 94 | 20 - 50 | 34 | 26 | 17.5 | 97.6 | M12 145 | 4000 | 1425 | 1.866 | 450 |
| 48 | 105 | 110 | 20 - 57 | 47.5 | 28 | 23 | 105 | M12 145 | 3750 | 2019 | 3.221 | 525 |

| Size | Transmittable torque (Nm) depending on shaft diameter (mm) | | | | | | | | | | | | | | | | | | | | | | | | | |
|------|--|-----|-----|------|------|------|------|------|------|-----|-----|-----|-----|-----|-----|-----|-----|-----|-----|-----|-----|-----|-----|-----|-----|--|
| | 3 | 4 | 6 | 8 | 10 | 12 | 14 | 15 | 16 | 18 | 19 | 20 | 24 | 25 | 28 | 30 | 32 | 35 | 38 | 40 | 42 | 45 | 48 | 50 | 55 | |
| 7 | 1.2 | 1.3 | 1.5 | | | | | | | | | | | | | | | | | | | | | | | |
| 9 | | 2.3 | 2.5 | 2.8 | 3.0 | | | | | | | | | | | | | | | | | | | | | |
| 14 | | | 14 | 14.7 | 15.7 | 16.7 | 17.7 | 18.3 | 18.8 | | | | | | | | | | | | | | | | | |
| 19 | | | | 42 | 44 | 47 | 49 | 50 | 51 | 54 | 55 | 56 | | | | | | | | | | | | | | |
| 24 | | | | | 58 | 61 | 63 | 64 | 65 | 67 | 69 | 70 | 74 | 76 | 79 | 81 | 84 | | | | | | | | | |
| 28 | | | | | | | 105 | 107 | 109 | 112 | 114 | 116 | 123 | 124 | 130 | 133 | 137 | 142 | 147 | | | | | | | |
| 38 | | | | | | | | 241 | 244 | 251 | 254 | 258 | 271 | 274 | 284 | 291 | 297 | 307 | 317 | 324 | 330 | 340 | 350 | | | |
| 42 | | | | | | | | | | | | | 452 | 457 | 471 | 481 | 491 | 505 | 519 | 529 | 539 | 553 | 568 | 577 | | |
| 48 | | | | | | | | | | | | | 471 | 476 | 491 | 500 | 510 | 524 | 539 | 548 | 558 | 572 | 587 | 596 | 620 | |

+ **Material** hub - aluminium
 spider element - polyurethane
Hub bore tolerance: H7
Keyway optional acc. DIN 6885
Shore-hardness 98 Sh A (red)
Further spider elements and technical data are available on page 42.